

## Instruction manual

Page 6

**IMPORTANT:** Read all instructions before using.

## Guide d'utilisation

Page 19

**IMPORTANT:** Lire toutes les instructions avant de démarrer les travaux.

## Manual de instrucciones

Página 33

**IMPORTANTE:** Lea todas las instrucciones antes de usar.

Instruction manual  
Guide d'utilisation  
Manual de instrucciones

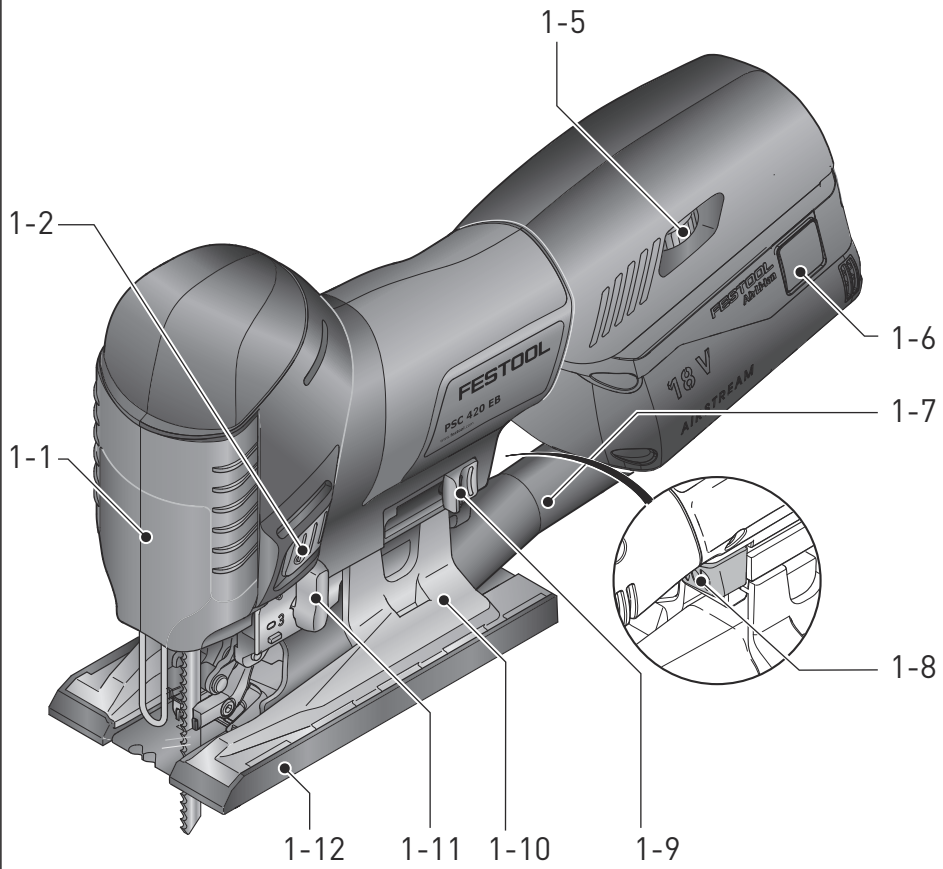
CARVEX  
PSC 420 EB  
PSBC 420 EB



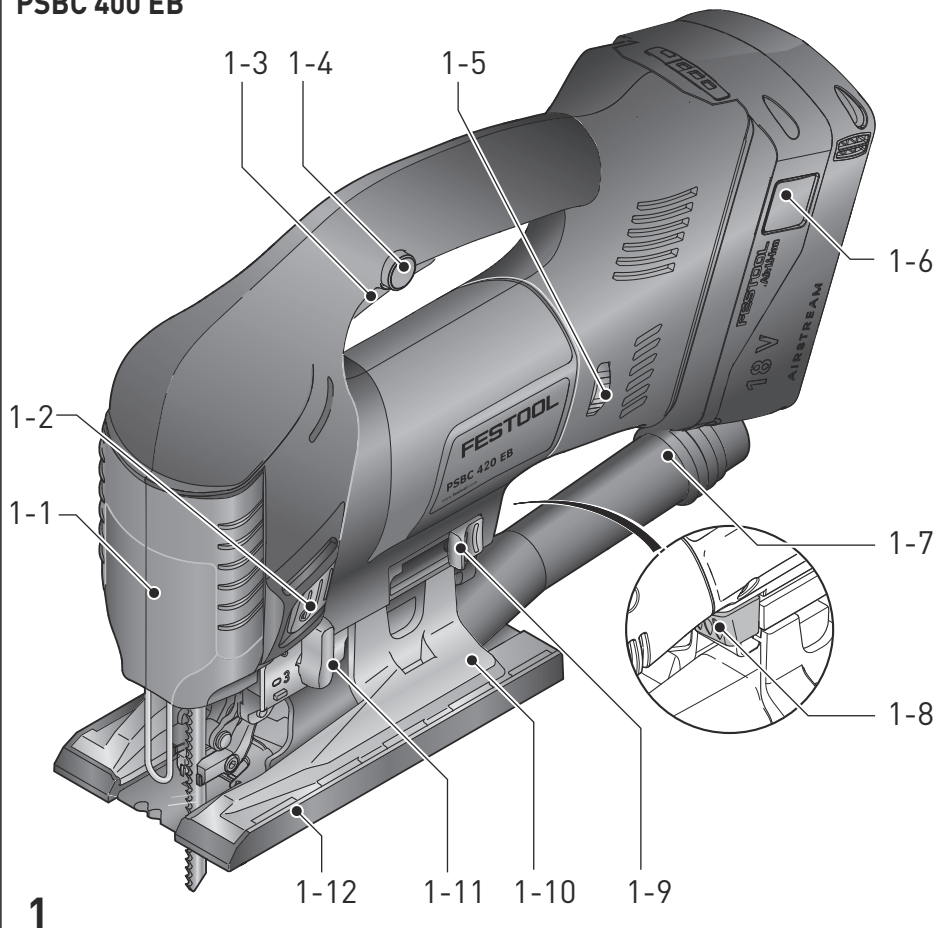




### PSC 420 EB



### PSBC 400 EB










## Contents






|                                |    |
|--------------------------------|----|
| Symbols.....                   | 6  |
| About this manual.....         | 6  |
| Safety instructions .....      | 7  |
| Technical data .....           | 9  |
| Functional description .....   | 9  |
| Intended use .....             | 10 |
| Commissioning .....            | 10 |
| Settings .....                 | 11 |
| Working with the machine ..... | 13 |
| Accessories .....              | 15 |
| Service and maintenance .....  | 18 |
| Environment.....               | 18 |

## Symbols

### Symbol Significance

|  |   |
|--|---|
|    | Warning of general danger                       |
|  | Risk of electric shock                          |
|  | Read operating instructions and safety notices! |
|  | Wear ear protection.                            |
|  | Wear protective gloves.                         |




### Symbol Significance



|   |                                      |
|---|--------------------------------------|
|  | Wear a dust mask.                    |
|  | Wear protective goggles.             |
|  | Do not dispose of as domestic waste. |
|  | Tip or advice                        |
|  | Handling instruction                 |
| V   | volts                                |
| A   | amperes                              |
| Hz  | hertz                                |
| ~ a.c.  | alternating current                  |
| --- d.c.  | direct current                       |
| $n_0$   | no load speed                        |
| rpm   | revolutions per minute               |
| $\text{min}^{-1}$   |                                      |
| tr/mn   |                                      |
| "   | inch                                 |
| lb.   | pound                                |
| $\varnothing$   | diameter                             |
| $^{\circ}\text{C}$  | degree centigrade                    |
| $^{\circ}\text{F}$  | degree Fahrenheit                    |
| Nm  | Newton metre                         |
| mm  | millimetre                           |

## About this manual

### Save these instructions


It is important for you to read and understand this manual. The information it contains relates to protecting **your safety** and **preventing problems**. The symbols below are used to help you recognize this information.

|  |         |  |
|--|---------|--|
|  | DANGER  | Description of imminent hazard and failure to avoid hazard will result in death. |
|  | WARNING | Description of hazard and possible resulting injuries or death.                  |
|  | CAUTION | Description of hazard and possible resulting injuries.                           |

|   |        |  |
|---|--------|--|
|  | NOTICE | Statement including nature of hazard and possible result.                        |
|  | HINT   | Indicates information, notes, or tips for improving your success using the tool. |

# Safety instructions

## General safety instructions

 **WARNING! Read all safety warnings and all instructions.** Failure to follow the warnings and instructions may result in electric shock, fire and/or serious injury.

**Save all warnings and instructions for future reference.**

The term “power tool” in the warnings refers to your mains-operated (corded) power tool or battery-operated (cordless) power tool.

### 1 WORK AREA SAFETY

- a. **Keep work area clean and well lit.** Cluttered and dark areas invite accidents.
- b. **Do not operate power tools in explosive atmospheres, such as in the presence of flammable liquids, gases or dust.** Power tools create sparks which may ignite the dust or fumes.
- c. **Keep children and bystanders away while operating a power tool.** Distractions can cause you to lose control.

### 2 ELECTRICAL SAFETY

- a. **Power tool plugs must match the outlet. Never modify the plug in any way. Do not use any adapter plugs with earthed (grounded) power tools.** Unmodified plugs and matching outlets will reduce risk of electric shock.
- b. **Avoid body contact with earthed or grounded surfaces, such as pipes, radiators, ranges and refrigerators.** There is an increased risk of electric shock if your body is earthed or grounded.
- c. **Do not expose power tools to rain or wet conditions.** Water entering a power tool will increase the risk of electric shock.
- d. **Do not abuse the cord. Never use the cord for carrying, pulling or unplugging the power tool. Keep cord away from heat, oil, sharp edges or moving parts.** Damaged or entangled cords increase the risk of electric shock.
- e. **When operating a power tool outdoors, use an extension cord suitable for outdoor use.** Use of a cord suitable for outdoor use reduces the risk of electric shock.
- f. **If operating a power tool in a damp location is unavoidable, use a residual current device (RCD) protected supply.** Use of an RCD reduces the risk of electric shock.

### 3 PERSONAL SAFETY

- a. **Stay alert, watch what you are doing and use common sense when operating a power tool. Do not use a power tool while you are tired or under the influence of drugs, alcohol or medication.** A moment of inattention while operating power tools may result in serious personal injury.
- b. **Use personal protective equipment. Always wear eye protection.** Protective equipment such as dust mask, non skid safety shoes, hard hat, or hearing protection used for appropriate conditions will reduce personal injuries.
- c. **Prevent unintentional starting. Ensure the switch is in the off-position before connecting to power source and/or battery pack, picking up or carrying the tool.** Carrying power tools with your finger on the switch or energising power tools that have the switch on invites accidents.
- d. **Remove any adjusting key or wrench before turning the power tool on.** A wrench or a key left attached to a rotating part of the power tool may result in personal injury.
- e. **Do not overreach. Keep proper footing and balance at all times.** This enables better control of the power tool in unexpected situations.
- f. **Dress properly. Do not wear loose clothing or jewellery. Keep your hair, clothing and gloves away from moving parts.** Loose clothes, jewellery or long hair can be caught in moving parts.
- g. **If devices are provided for the connection of dust extraction and collection facilities, ensure these are connected and properly used.** Use of dust collection can reduce dust-related hazards.
- h. **Do not let familiarity gained from frequent use of tools allow you to become complacent and ignore, tool safety principles.** A careless action can cause severe injury within a fraction of a second.

### 4 POWER TOOL USE AND CARE

- a. **Do not force the power tool. Use the correct power tool for your application.** The correct power tool will do the job better and safer at the rate for which it was designed.
- b. **Do not use the power tool if the switch does not turn it on and off.** Any power tool that cannot be controlled with the switch is dangerous and must be repaired.
- c. **Disconnect the plug from the power source and/or battery pack from the power tool before**

**making any adjustments, changing accessories, or storing power tools.** Such preventive safety measures reduce the risk of starting the power tool accidentally.

- d. **Store idle power tools out of the reach of children and do not allow persons unfamiliar with the power tool or these instructions to operate the power tool.** Power tools are dangerous in the hands of untrained users.
- e. **Maintain power tools. Check for misalignment or binding of moving parts, breakage of parts and any other condition that may affect the power tool's operation. If damaged, have the power tool repaired before use.** Many accidents are caused by poorly maintained power tools.
- f. **Keep cutting tools sharp and clean.** Properly maintained cutting tools with sharp cutting edges are less likely to bind and are easier to control.
- g. **Use the power tool, accessories and tool bits etc. in accordance with these instructions taking into account the working conditions and the work to be performed.** Use of the power tool for operations different from those intended could result in a hazardous situation.
- h. **Keep handles dry, clean and free from oil and grease.** Slippery handles do not allow for safe handling and control of the tool in unexpected situations.

## 5 BATTERY TOOL USE AND CARE

- a. **Recharge only with the charger specified by the manufacturer.** A charger that is suitable for one type of battery pack may create a risk of fire when used with another battery pack.
- b. **Use power tools only with specifically designated battery packs.** Use of any other battery packs may create a risk of injury and fire.
- c. **When battery pack is not in use, keep it away from other metal objects like paper clips, coins, keys, nails, screws, or other small metal objects that can make a connection from one terminal to another.** Shorting the battery terminals together may cause burns or a fire.
- d. **Under abusive conditions, liquid may be ejected from the battery; avoid contact. If contact accidentally occurs, flush with water. If liquid contacts eyes, additionally seek medical help.** Liquid ejected from the battery may cause irritation or burns.
- e. **Do not use a battery pack or tool that is dam-**

**aged or modified.** Damaged or modified batteries may exhibit unpredictable behaviour resulting in fire, explosion or risk of injury.

- f. **Do not expose a battery pack or tool to fire or excessive temperature.** Exposure to fire or temperature above 130 °C may cause explosion.

## 6 SERVICE

- a. **Have your power tool serviced by a qualified repair person using only identical replacement parts.** This will ensure that the safety of the power tool is maintained.
- b. **Never service damaged battery packs.** Service of battery packs should only be performed by the manufacturer or authorized service providers.

### Machine-related safety instructions

- **Hold power tool by insulated gripping surface, when performing an operation where the cutting accessory may contact hidden wiring.** Cutting accessory contacting "live" wire may make exposed metal parts of the power tool "live" and could give the operator an electric shock.
- **Use clamps or another practical way to secure and support the workpiece to a stable platform.** Holding the workpiece by hand or against your body leaves it unstable and may lead to loss of control.
- **Stroboscopic light can cause epileptic seizures.** Do not use this machine if you are susceptible to epileptic seizures.
- Do not look into the stroboscope light. Looking into the light source can damage your vision.

### Further safety instructions

- **Harmful/poisonous dust may arise when working (e.g. paint products containing lead and some types of wood).** Contact with or inhalation of this dust may pose a risk for the operating personnel or persons in the vicinity. Observe the safety regulations applicable in your country.



Wear a P2 respiratory mask to protect your health.

- **Festool electric power tools must only be installed on work tables provided by Festool for this purpose.** If the tool is installed in another, or self-made, work table, it can become unstable and result in serious accidents.



## Metal processing



When processing metal, the following measures must be taken for safety reasons:

- Connect the machine to a suitable dust extractor.
- Regularly remove dust deposits in the motor housing.
- Use a saw blade specifically designed for the cutting of metal.
- Close the chip guard.



Wear protective goggles.

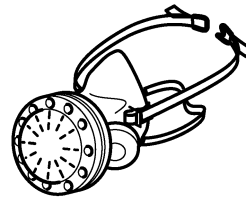
## Health hazard by dust



**WARNING!** Various dust created by power sanding, sawing, grinding, drilling and other construction activities contains chemicals known (to the State of California) to cause cancer, birth defects or other reproductive harm. Some ex-

amples of these chemicals are:

- lead from lead-based paints,
- crystalline silica from bricks and cement and other masonry products, and
- arsenic and chromium from chemically treated lumber.



The risk from these exposures varies, depending on how often you do this type of work. To reduce your exposure to these chemicals: work in a well ventilated area, and work with ap-

proved safety equipment, such as dust masks that are specially designed to filter out microscopic particles. Wash hands after handling.



## WARNING

**TO REDUCE THE RISK OF INJURY, USER MUST READ INSTRUCTION MANUAL.**

## Technical data

| Cordless jigsaws   | PSC 420 EB                    | PSBC 420 EB                   |
|--|-------------------------------|-------------------------------|
| Motor voltage  | 10.8 - 18 V                   |                               |
| Stroke speed   | 1500 - 3800 min <sup>-1</sup> | 1000 - 3800 min <sup>-1</sup> |
| Stroke length  | 1.02" (26 mm)                 |                               |
| Pendulum stroke  | 4 steps                       |                               |
| max. inclination (only with accessory angle table WT-PS 400) | 45° to both sides             |                               |
| max. cutting depth (depending on saw blade)                  |                               |                               |
|  | Wood                          | 4-3/4" (120 mm)               |
|  | Aluminium                     | 3/4" (20 mm)                  |
|  | Steel                         | 3/8" (10 mm)                  |
| Weight without battery pack                                  | 4.2 lbs (1.9 kg)              |                               |

## Functional description

The pictures for the functional description are on a fold-out page at the beginning of the instruction manual. While reading the manual you can fold out the page for comparison and quick reference.

**[1-1]** Chip guard

**[1-2]** On/Off switch

**[1-3]** Variable speed trigger (only PSBC 420 EB)

**[1-4]** Switch lock (only PSBC 420 EB)

**[1-5]** Adjusting wheel for stroke speed control

**[1-6]** Buttons for releasing the battery pack

**[1-7]** Extractor connector

**[1-8]** Saw table change lever

**[1-9]** Saw blade ejection

**[1-10]** Replaceable saw table

**[1-11]** Pendulum stroke switch

**[1-12]** Base runner

## Intended use

Jigsaws are designed for sawing wood and materials similar to wood. With the special saw blades offered by Festool, these machines can also be used for sawing plastic, steel, aluminium, non-ferrous metal and ceramic plates.

Festool electric power tools must only be installed on work tables provided by Festool for this purpose.

If the tool is installed in another, or self-made, work table, it can become unstable and result in serious accidents.



### WARNING

The user will be liable for damage due to improper use.

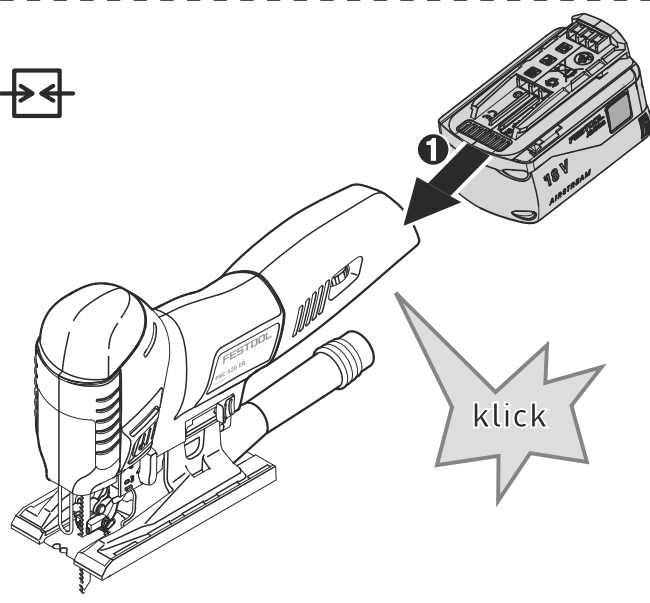
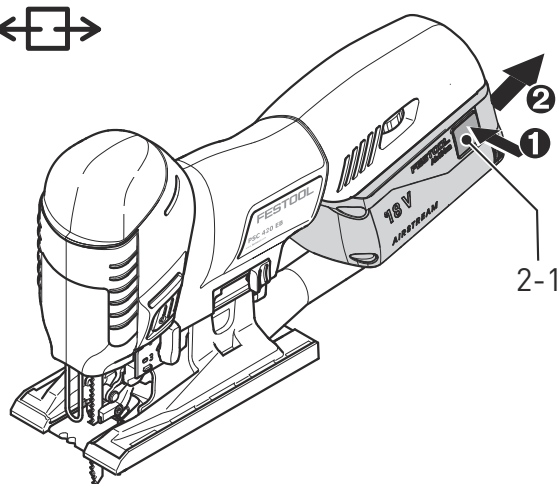
## Commissioning

### Changing the battery pack [2]


#### Removing the battery pack

- ▶ Press and hold the two buttons [2-1].
- ▶ Slide the battery pack forwards to remove.

2



#### Inserting the battery pack

- ▶ Slide the battery pack onto the retainer on the underside of the handle shown in Fig. 2 until it engages.
  - ① The cordless jigsaws can be charged using any Festool battery pack from the **BPC** series.
-  **Risk of injury!** Always remove the belt clip from battery packs from the BPC series prior to use.

## Settings

Consider the pictures on the fold-out page.



### WARNING

#### Risk of injury

- ▶ Always disconnect the battery pack before performing any type of work on the machine!

### Adjusting the pendulum stroke

In order to saw different materials with the proper rate of advance the pendulum stroke can be adjusted. Set the required stroke via the pendulum stroke switch **[1-11]**:

Position 0 = pendulum stroke disabled

Position 3 = maximum pendulum stroke

#### Recommended pendulum stroke setting

|                                       |       |
|---------------------------------------|-------|
| Softwood, chip board, wood fibreboard | 1 - 3 |
| Blockboard, plywood, plastic          | 1 - 2 |
| Ceramics                              | 0     |
| Aluminium, non-ferrous metals         | 0 - 2 |
| Steel, hardwood                       | 0 - 1 |

### Stroke speed control

The number of strokes can be adjusted steplessly with the adjusting wheel **[1-5]** between 1500 and 3800 min<sup>-1</sup> (PSBC 420 EB: 1000 - 3800 min<sup>-1</sup>). This enables you to optimise the cutting speed to suit the respective material.

In position **A**, the automatic load detection is activated: The stroke speed is reduced in no-load operation and is restricted to the highest value when the blade enters the workpiece.

#### Recommended stroke speed (position of the adjusting wheel)

|  |       |
|--|-------|
| Hard and soft wood, plywood board, plywood, chip board | A     |
| Hardboard  | 4 - A |
| Plastic  | 3 - A |
| Ceramic, aluminium, non-ferrous metals                 | 3 - 5 |
| Steel  | 2 - 4 |

### Using the chip guard

The chip guard **[1-1]** prevents chips from flying away and improves the efficiency of the chip extraction system.

- ▶ Using minimal pressure, push the chip guard **[1-1]** downwards.

### Changing saw table

- ▶ Open the change lever **[1-8]**.
- ▶ Removing the saw table downwards.
- ① Assembly is performed in reverse sequence to removal. Ensure that the saw table is firmly seated in the guide.

Instead of the saw table, the angle table WT-PS 400 or adaptation table ADT-PS 400 can be installed at the support.



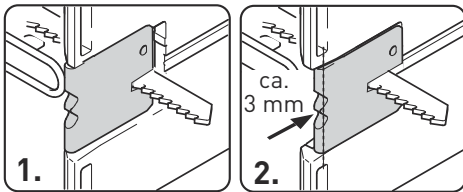
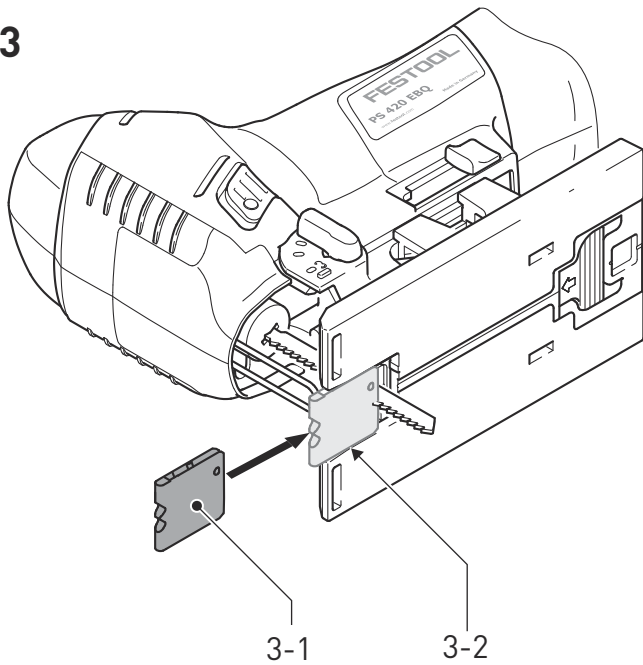
Never saw without the saw table, or one of the other tables offered in the Festool accessories program.

### Inserting the splinterguard

The splinterguard ensures a smooth, splinter-free cutting edge, even when exiting the material.

- ▶ Switch off the machine and slide down the splinterguard **[3-1]** into the guide **[3-2]** and up to the saw blade,
- ▶ Switch on the jigsaw,
- ▶ On a level surface, slide in the splinterguard **(not using your hand!)** while the machine is operating until it is level with the front edge of the saw base (speed setting 5). This breaks in the splinterguard.
- ① If machine shows obvious signs of wear, push the splinterguard approx. 3 mm further to the rear and continue using it.
- ① To guarantee reliable operation of the splinterguard, it must seal tightly on both sides of the saw blade. A new splinterguard should therefore be fitted after every saw blade change to guarantee splinter-free cuts.

3



**Dust extraction**

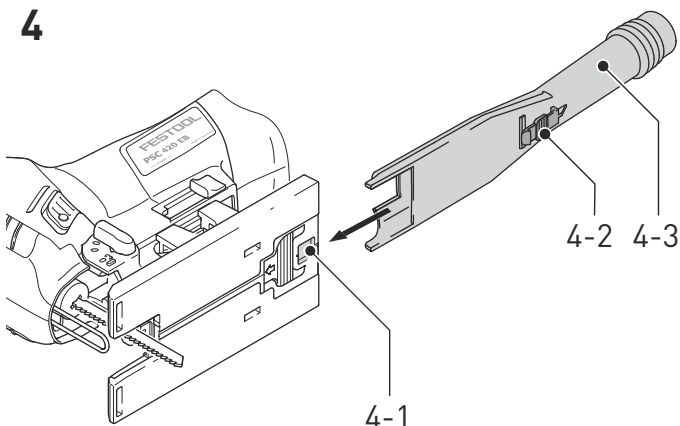


**WARNING**

**Dust hazard**

- ▶ Dust can be hazardous to health. Always work with a dust extractor.
- ▶ Always read applicable national regulations before extracting hazardous dust.

4



The extraction adapter [4-3] allows jigsaws to be connected to a dust extractor (hose diameter 27 mm).

- ▶ Insert the extraction adapter into the rear opening of the saw table so that the hook [4-2] engages in the [4-1] recess.
- ▶ To remove the extraction adapter, press the hook [4-2].
- ⓘ Due to the low power consumption of the machine (low energy consumption), dust extractors with an automatic switch-on function will sometimes only start up when the actual cut is made.
- ▶ Set the dust extractor to continuous operation for special applications (e.g. low stroke rate, soft wood).

**Changing tools**



**CAUTION**

**Hot and sharp tools**

**Risk of injury**

- ▶ Do not use insert tools that are blunt or defective.
- ▶ Wear protective gloves.

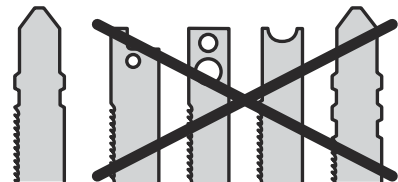


Deformed or cracked saw blades and saw blades with blunt or broken cutting edges must not be used.

**Selecting saw blade**



Only use saw blades with a T-shank. The saw blade should not be longer than that required for the intended cut. To ensure safe guidance, during the cut the saw blade should emerge at the bottom of the workpiece with each stroke.



- ⓘ Only use cross-set saw blades when using the angle and adapter table. We recommend Festool saw blade S 105/4 FSG.

## Inserting saw blade



### WARNING

#### Risk of injury

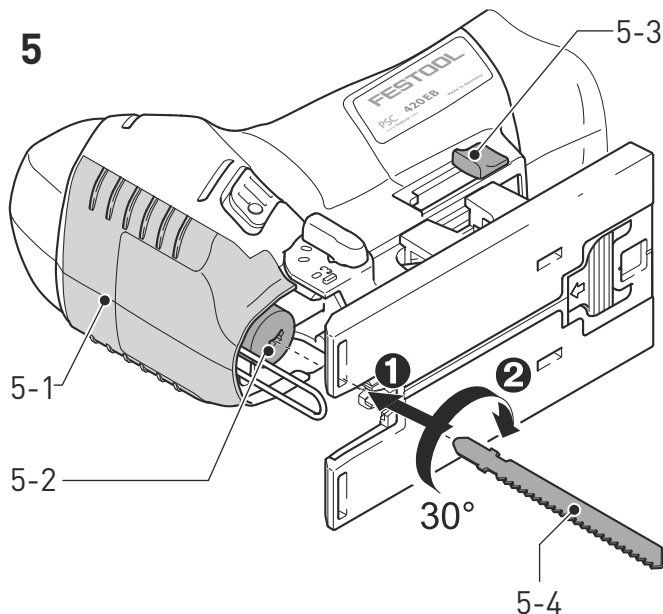
▶ Always disconnect the battery pack before performing any type of work on the machine!

- ▶ If necessary, lift up the chip guard [1-1].
- ▶ Slide the saw blade [5-4] into the opening [5-2] as far as the stop with its teeth in the cutting direction.
- ▶ Turn the saw blade [5-4] clockwise approx. 30°.



Check that the saw blade is secure. A loose saw blade can fall out and cause an injury.

- ① If the saw blade is very small, it is advisable to remove the saw base (see chapter Changing saw table) before inserting the saw blade.



#### Adjust the saw blade guide after every saw blade change:

The saw blade guide was designed to improve guid-

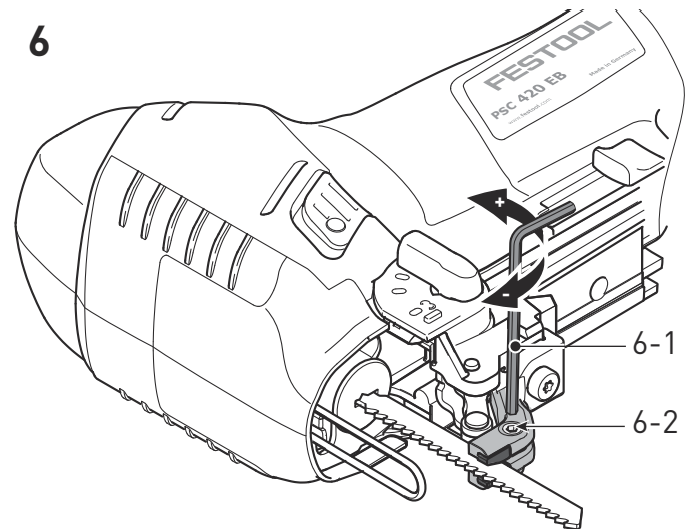
ance of the saw blade.

- ▶ Remove the saw base (see chapter Changing saw table).
- ▶ Tighten the screw [6-2] using the Allen key [6-1] until the jaws are almost touching the saw blade.

### NOTE

#### Damage to the machine or saw blade

- ▶ Do not tighten the screw [6-2] too firmly! It must be possible to move the saw blade slightly.



#### Ejecting saw blade

- ① When ejecting the saw blade, hold the electric power tool such that no persons or animals can be injured.
- ▶ Push the saw blade ejection [5-3] forwards as far as the stop.  
*Saw blade is thrust out mechanically.*
- ① A tool change is only possible when the tool holder is located in the upper position!

**If the saw blade is stuck and cannot be changed:** Operate the jigsaw at high speed for 3 - 10 seconds. Actuate the saw blade ejection [5-3] again.

## Working with the machine



### CAUTION

**Material with high dust generation (e.g. plasterboard)**

**Damage to machine through dust penetration, risk of injury**

- ▶ Do not work overhead!



## WARNING

### Risk of injury

- ▶ With the tool switched off and unplugged, check for tight fit of the sawblade before starting to work
- ▶ Always apply the pendulum jigsaw to the workpiece with the sawblade running.
- ▶ Wait until the power tool stops completely until placing it down. The tool can become entangled and lead to a loss of control of the power tool.

When working on small or thin workpieces, always use a stable base.

When working, hold the electric power tool by the handle and guide it along the desired cutting line. For precise cuts and smooth running, use two hands to guide the electric power tool.

### Free saw guidance along a scribe mark

The triangular pointer on the splinterguard [3-1] indicates the cutting line of the saw blade. This facilitates sawing along a scribe mark.

## Switch on/off

The electric power tool has one button [1-2] on each side for switching on/off.

The PSBC 420 EB also has a variable speed trigger [1-3] with switch lock [1-4]. For continuous operation, use the button [1-2].

## Lighting



## WARNING

**The stroboscope light may make it difficult to determine the saw blade position**

### Risk of injury

- ▶ Ensure the work area is well illuminated.



## WARNING

**Looking into the light source can damage your vision.**

- ▶ Do not look into the stroboscope light.

A continuous light or stroboscope is installed for illuminating the cutting line:

up to approx. 2100 min<sup>-1</sup>: continuous light

from approx. 2100 min<sup>-1</sup>: stroboscope light

- ① In overhead position (+/- 45°), the lighting is switched off completely.

If required, you can adjust the lighting:

- ▶ Plug in the electric power tool.
- ▶ Press both buttons simultaneously [1-2] and hold for approx. 10 s until a beep sounds.
- ▶ Release both buttons [1-2].
- ▶ Press the left button (on the pendulum stroke side) to select the stroke speed and consequently the desired operating mode:

| Mode | Indication during configuration | Behaviour during operation          |
|------|---------------------------------|-------------------------------------|
| 1    | Light flashes                   | With stroboscope (standard)         |
| 2    | Light on                        | Permanent light without stroboscope |
| 3    | Light off                       | Light switched off                  |

- ▶ Press the right button to save the setting.

## Acoustic warning signals

Acoustic warning signal sounds and the machine switches off to indicate the following operating states:



peep — —

### Battery low or machine overloaded.

- Change the battery.
- Reduce machine workload.



peep peep —

### Machine is overheating.

- You must allow the machine to cool down before further usage.



peep peep peep

### Battery pack faulty or overheated.

- Once the battery pack has cooled down, perform a function check using the charger.

## Accessories

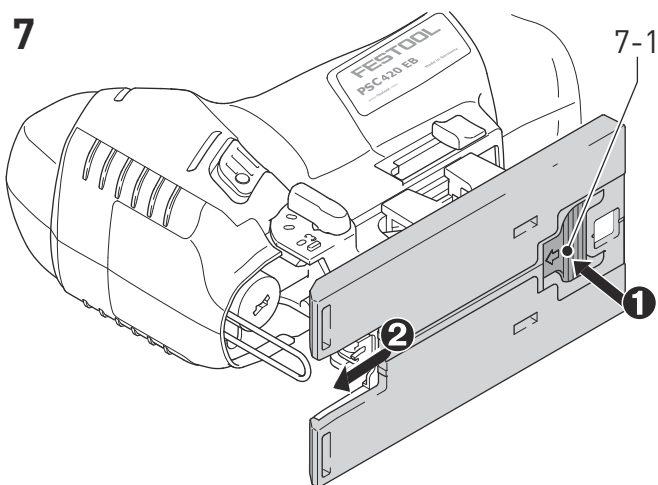
Use only original Festool accessories and Festool consumable material intended for this machine. These components are designed specifically for this machine. Using accessories and consumable material from other suppliers will most likely affect the quality of your results and limit warranty claims. Machine wear or your own personal workload may increase depending on the application. Protect yourself and your machine, and preserve your warranty claims by always using original Festool accessories and Festool consumable material!

The order numbers of the accessories and tools can be found in the Festool catalogue or on the Internet under "www.festoolusa.com".

### Saw blades, other accessories

In order to saw different materials quickly and cleanly, Festool offers saw blades for all applications that are specially designed for your Festool jigsaw.

### Sawing with special base runners




The special base runners protect high-quality surfaces against scratches and scores.

- ▶ Press in the base runner at position [7-1].
- ▶ At the same time, push the base runner forwards.
- ▶ Mount another base runner and push it to the rear until it engages.

### Sawing with the angle table

The angle table WT-PS 400 is used for cutting pipes or interior and exterior angles up to 45°.

 Dust extraction is not possible when sawing with the angle table!

### Installing the angle table

- ▶ Remove the saw base [1-10], (see chapter Changing saw table).
- ▶ Position the angle table against the saw base support.
- ▶ Close the lever [1-8].

*Ensure that the angle table is firmly seated in the guide.*

### Setting the angle

- ▶ Turn the adjusting wheel [8-1] to select the required angle.

*You can select the angles -45°, 0° and +45° on the scale [8-2].*



## WARNING

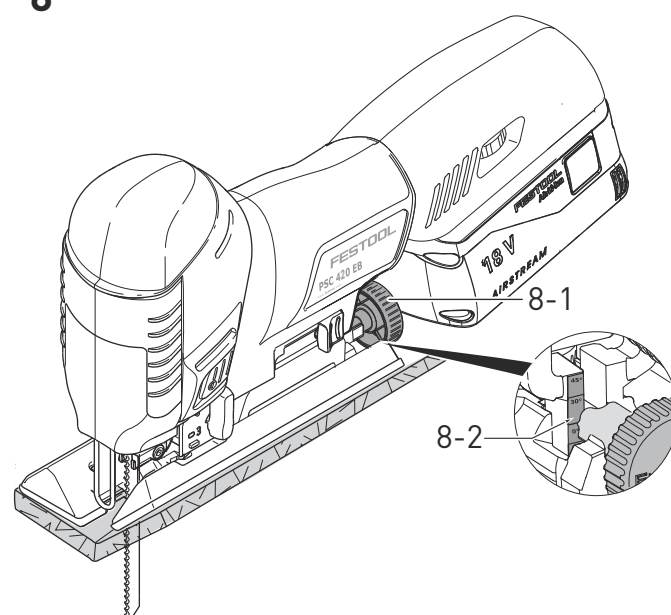
### Sawing cutting depths

#### Risk of injury

- ▶ Select the saw blade length and cutting depth so that the saw blade remains plunged in the workpiece.

- ⓘ For 90° cuts, we recommend setting the angle table to a small negative angle to guarantee smooth operation.

8



## Sawing with the adaptation table

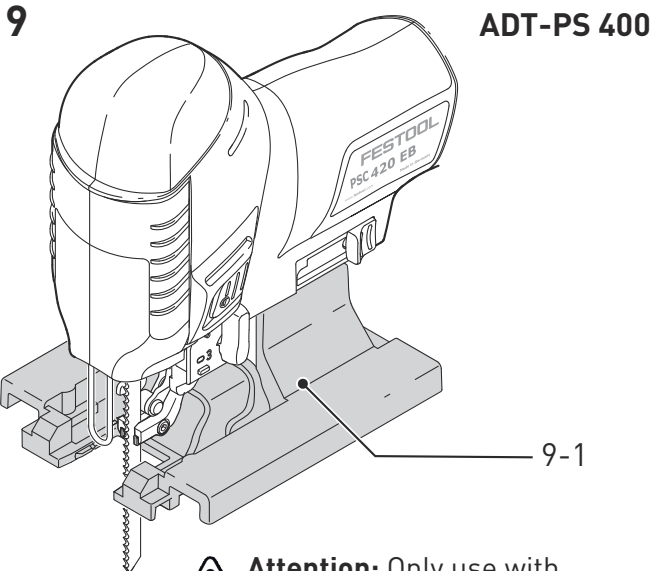


### WARNING

#### Risk of injury

- ▶ Always disconnect the battery pack before installing the adaptation table!

The adaptation table ADT-PS 400 is used for fitting your jigsaw on the Festool guide rail and the circle cutter KS-PS 400.



**Attention:** Only use with materials thinner than 20mm and cross-set sawblade!

- ▶ **With guide rail and circle cutter:** do not exceed max. material thickness of 20 mm and always use cross-set saw blades (FSG).

#### Installing the adaptation table

- ▶ Remove the saw table [1-10], (see chapter ).
- ▶ Mount the adaptation table [9-1] on the saw table support.
- ▶ Close the change lever [1-8].

*Ensure that the adaptation table is firmly seated in the guide.*

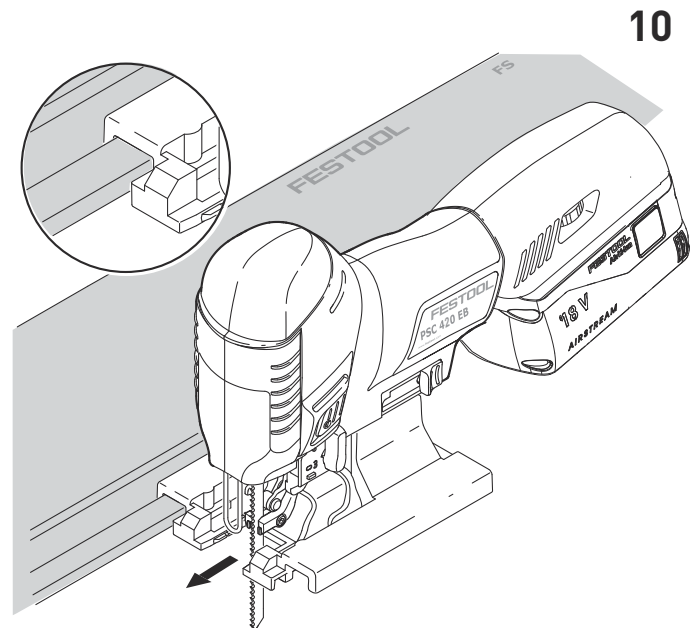
- ① Use the extractor connector [1-7] also with the adaptation table.

#### Adaptation to the guide rail FS 2

The Festool guide system FS 2 (Fig. [10]) makes it

much easier to manufacture straight precision cuts.

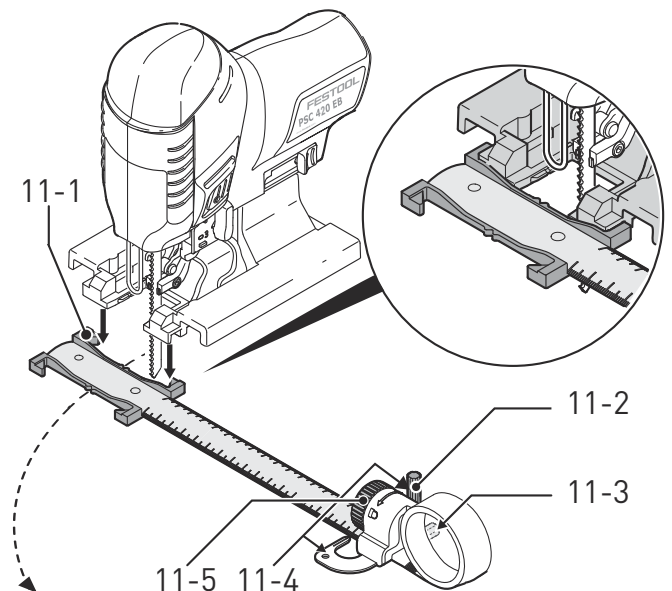
- ▶ Place the jigsaw with attached adaptation table [9-1] on the guide rail.



#### Adaptation to the circle cutter

The circle cutter can be used to create circular cuts with a diameter between 120 and 3000 mm. The circle cutter can be installed from both sides on the adaptation table.

#### KS-PS 400





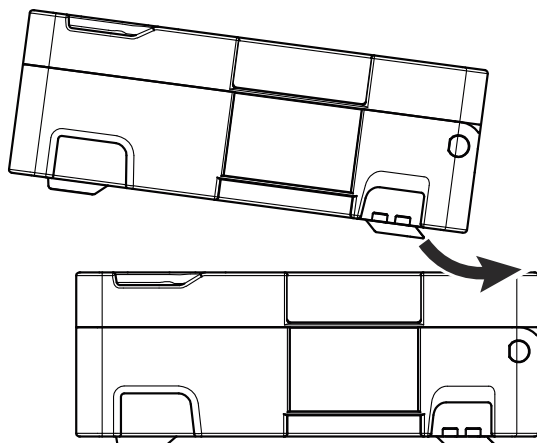
- ▶ Place the jigsaw with attached adaptation table on the adapter **[11-1]** on the circle cutter.
- ▶ Insert the centring mandrel **[11-2]** in the hole **[11-4]** on the circle cutter aligned with the saw blade.
- ▶ Clamp the measuring tape to the circle cutter using the rotary knob **[11-5]**.

Recommended when using the circle cutter:

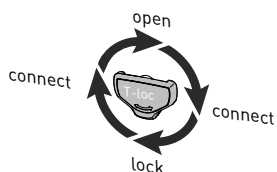
- ▶ Cut in an anticlockwise direction.
  - ▶ Work at a slow rate of advance.
  - ▶ Set the pendulum stroke **[1-11]** to 0 - 1.
  - ▶ Set the stroke rate **[1-5]** to 1 - 5.
- ① Store the centring mandrel in the depot **[11-3]**.

## Systainer

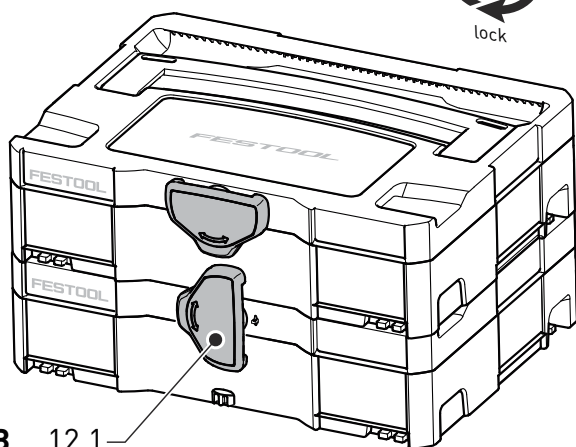
12



A



B 12.1



## Systainer

Many Festool products are shipped in a unique system container, called "Systainer". This provides protection and storage for the tool and accessories. The Systainers are stackable and can be interlocked together. They also can be interlocked atop Festool CT dust extractors.

### To open the Systainer



Turn the T-loc **[12-1]** to this position.

### To lock the Systainer



Turn the T-loc **[12-1]** to this position.

### To connect two Systainers

Place one Systainer on the top of the other (Fig. **[12 A]**).



Turn the T-loc **[12-1]** to one of this positions (Fig. **[12 B]**).

The Systainers are connected and locked.

- ① A new generation Systainer is connectable on top of a previous generation Systainer by the four latches of the previous Systainer.

---

## Service and maintenance

---



### WARNING

**Any maintenance or repair work that requires opening of the motor or gear housing should only be carried out by an authorised Customer Service Centre (name supplied by your dealer)!**

- ▶ Maintenance or repair work carried out by an unauthorised person can lead to the wrong connection of the power cord or other components, which in turn can lead to accidents with serious consequences.



Use only original Festool spare parts!  
Order No. at:  
[www.festoolusa.com/service](http://www.festoolusa.com/service)

Do not open the battery pack or the charger. Even after disconnection from the mains, there is still a high capacitor voltage inside the charger.

Damaged safety devices and components must be repaired or replaced in a recognised specialist workshop, unless otherwise indicated in the operating manual.

### Observe the following instructions:

- Keep the air slits on the machine and the charger free and clean to ensure adequate cooling.
- Keep the contacts on the machine, charger and battery pack clean.
- Check the guidance roller regularly for wear.
- Regularly remove dust deposits from the chip guard.
- Regularly clean the base runner to prevent scratches and cores on the surface.



For service, maintenance, disposal and transport of the battery pack, note enclosed instructions of the battery pack!



### WARNING

#### Risk of injury, electric shock

- ▶ Always disconnect the battery pack from the machine before any maintenance or care work!



**Customer service and repair** only through manufacturer or service workshops: Please find the nearest address at:  
[www.festoolusa.com/service](http://www.festoolusa.com/service)

---

## Environment

---

**Do not dispose of the device as domestic waste!**  
Dispose of machines, accessories and packaging at

an environmentally responsible recycling centre.  
Observe the respective national regulations.

## Sommaire

|   |    |
|---|----|
| Symboles .....  | 19 |
| À propos de ce manuel .....                           | 19 |
| Consignes de sécurité.....                            | 20 |
| Caractéristiques techniques.....                      | 23 |
| Description fonctionnelle.....                        | 23 |
| Utilisation en conformité avec les instructions ..... | 24 |

|                               |    |
|-------------------------------|----|
| Mise en service .....         | 24 |
| Réglages .....                | 25 |
| Travail avec la machine ..... | 28 |
| Accessoires .....             | 29 |
| Entretien et maintenance..... | 32 |
| Environnement .....           | 32 |

## Symboles


| Symbole   | Signification  |
|---|--|
|    | Avertissement de danger                                |
|    | Avertissement contre le risque d'électrocution         |
|    | Notice d'utilisation, lire les consignes de sécurité ! |
|  | Porter une protection auditive !                       |
|  | Porter des gants de protection !                       |
|  | Porter une protection respiratoire !                   |
|  | Porter des lunettes de protection !                    |
|  | Ne pas jeter l'appareil avec les ordures ménagères.    |
|  | Astuce, information                                    |
|  | Consignes opératoires                                  |


| Symbole            | Signification              |
|--------------------|----------------------------|
| V                  | Volt                       |
| A                  | Ampère                     |
| Hz                 | Hertz                      |
| ~ a.c.             | Tension alternative        |
| — d.c.             | Tension continu            |
| $n_0$              | Vitesse de rotation à vide |
| rpm                | tours ou course par minute |
| $\text{min}^{-1}$  |                            |
| tr/mn              |                            |
| "                  | pouce                      |
| lb.                | livre                      |
| $\varnothing$      | Diamètre                   |
| $^{\circ}\text{C}$ | centigrade                 |
| $^{\circ}\text{F}$ | degrés Fahrenheit          |
| Nm                 | Newton metre               |
| mm                 | millimètre                 |




## À propos de ce manuel

### Conservez ces instructions

Il est important pour vous de lire et de comprendre ce manuel. Les informations qu'il contient, se rapporte à la protection **de votre sécurité** et **de prévention des problèmes**. Les symboles suivants sont utilisés pour vous aider à reconnaître cette information.


|   |               |   |
|---|---------------|---|
|  | <b>DANGER</b> | Description du risque imminent et l'incapacité à éviter tout risque qui peut entraîner la mort. |
|---|---------------|---|

|   |                      |   |
|---|----------------------|---|
|  | <b>AVERTISSEMENT</b> | Description des dangers possibles et des blessures qui en résultent ou la mort. |
|---|----------------------|---|

|   |   |
|---|---|
|  ATTENTION | Description des dangers et des éventuelles blessures qui en résultent.                                |
|  AVIS     | Déclaration incluant le type de danger et conséquences possibles.                                     |
|  CONSEIL  | Indique des informations, des notes ou des conseils pour améliorer votre succès en utilisant l'outil. |

## Consignes de sécurité

### Consignes de sécurité d'ordre général

 **ATTENTION ! Lire toutes les consignes de sécurité et indications.** Le non-respect des avertissements et instructions indiqués ci-après peut entraîner un choc électrique, un incendie et/ou de graves blessures.

**Conserver tous les avertissements et toutes les instructions pour pouvoir s'y reporter ultérieurement.**

Le terme " outil " dans les avertissements fait référence à votre outil électrique alimenté par le secteur (avec cordon d'alimentation) ou votre outil fonctionnant sur batterie (sans cordon d'alimentation).

#### 1 PLACE DE TRAVAIL

- Maintenez l'endroit de travail propre et bien éclairé.** Un lieu de travail en désordre ou mal éclairé augmente le risque d'accidents.
- N'utilisez pas l'appareil dans un environnement présentant des risques d'explosion et où se trouvent des liquides, des gaz ou poussières inflammables.** Les outils électroportatifs génèrent des étincelles risquant d'enflammer les poussières ou les vapeurs.
- Tenez les enfants et autres personnes éloignés durant l'utilisation de l'outil électroportatif.** En cas d'inattention vous risquez de perdre le contrôle sur l'appareil.

#### 2 SECURITE RELATIVE AU SYSTEME ELECTRIQUE

- La fiche de secteur de l'outil électroportatif doit être appropriée à la prise de courant. Ne modifiez en aucun cas la fiche. N'utilisez pas de fiches d'adaptateur avec des appareils avec mise à la terre.** Les fiches non modifiées et les

prises de courant appropriées réduisent le risque de choc électrique.

- Evitez le contact physique avec des surfaces mises à la terre tels que tuyaux, radiateurs, fours et réfrigérateurs.** Il y a un risque élevé de choc électrique au cas où votre corps serait relié à la terre.
- N'exposez pas l'outil électroportatif à la pluie ou à l'humidité.** La pénétration d'eau dans un outil électroportatif augmente le risque d'un choc électrique.
- N'utilisez pas le câble à d'autres fins que celles prévues, n'utilisez pas le câble pour porter l'appareil ou pour l'accrocher ou encore pour le débrancher de la prise de courant. Maintenez le câble éloigné des sources de chaleur, des parties grasses, des bords tranchants ou des parties de l'appareil en rotation.** Un câble endommagé ou torsadé augmente le risque d'un choc électrique.
- Au cas où vous utiliseriez l'outil électroportatif à l'extérieur, utilisez une rallonge autorisée homologuée pour les applications extérieures.** L'utilisation d'une rallonge électrique homologuée pour les applications extérieures réduit le risque d'un choc électrique.
- Si l'usage d'un outil dans un emplacement humide est inévitable, utiliser une alimentation protégée par un dispositif à courant différentiel résiduel (RCD).** L'usage d'un RCD réduit le risque de choc électrique.

#### 3 SECURITE DES PERSONNES

- Restez vigilant, surveillez ce que vous faites. Faites preuve de bon en utilisant l'outil électroportatif. N'utilisez pas l'appareil lorsque vous êtes fatigué ou après avoir consommé de l'alcool, des drogues ou avoir pris des médicaments.** Un moment d'inattention lors de

l'utilisation de l'appareil peut entraîner de graves blessures sur les personnes.

- b. **Portez des équipements de protection. Portez toujours des lunettes de protection.** Le fait de porter des équipements de protection personnels tels que masque anti-poussières, chaussures de sécurité antidérapantes, casque de protection ou protection acoustique suivant le travail à effectuer, réduit le risque de blessures.
- c. **Évitez une mise en service par mégarde. Assurez-vous que l'interrupteur est effectivement en position d'arrêt avant de retirer la fiche de la prise de courant.** Le fait de porter l'appareil avec le doigt sur l'interrupteur ou de brancher l'appareil sur la source de courant lorsque l'interrupteur est en position de fonctionnement, peut entraîner des accidents.
- d. **Enlevez tout outil de réglage ou toute clé avant de mettre l'appareil en fonctionnement.** Une clé ou un outil se trouvant sur une partie en rotation peut causer des blessures.
- e. **Ne surestimez pas vos capacités. Veillez à garder toujours une position stable et équilibrée.** Ceci vous permet de mieux contrôler l'appareil dans des situations inattendues.
- f. **Portez des vêtements appropriés. Ne portez pas de vêtements amples, ni de bijoux. Gardez les cheveux et les vêtements à distance des pièces mobiles.** Des vêtements amples, des bijoux ou des cheveux longs peuvent être happés par les pièces en mouvement.
- g. **Si des dispositifs servant à aspirer ou à recueillir les poussières doivent être utilisés, vérifiez que ceux-ci soient effectivement raccordés et qu'ils sont correctement utilisés.** L'utilisation de tels dispositifs réduit les dangers dus aux poussières.
- h. **Ne devenez pas trop sûr de vous, par habitude suite à une utilisation fréquente de l'appareil, de manière à ne pas respecter les principes de sécurité de base de l'appareil.** Une action imprudente peut occasionner de graves blessures en l'espace d'une fraction de seconde.

#### 4 UTILISATION ET EMPLOI SOIGNEUX DE L'OUTIL ÉLECTROPORTATIF

- a. **Ne surchargez pas l'appareil. Utilisez l'outil électroportatif approprié au travail à effectuer.** Avec l'outil électroportatif approprié, vous travaillerez mieux et avec plus de sécurité à la vitesse pour laquelle il est prévu.
- b. **N'utilisez pas un outil électroportatif dont l'interrupteur est défectueux.** Un outil électropor-

atif qui ne peut plus être mis en ou hors fonctionnement est dangereux et doit être réparé.

- c. **Retirer la fiche de la prise de courant avant d'effectuer des réglages sur l'appareil, de changer les accessoires, ou de ranger l'appareil.** Cette mesure de précaution empêche une mise en fonctionnement par mégarde.
- d. **Gardez les outils électroportatifs non utilisés hors de portée des enfants. Ne permettez pas l'utilisation de l'appareil à des personnes qui ne se sont pas familiarisées avec celui-ci ou qui n'ont pas lu ces instructions.** Les outils électroportatifs sont dangereux lorsqu'ils sont utilisés par des personnes non initiées.
- e. **Prenez soin des outils électroportatifs. Vérifiez que les parties en mouvement fonctionnent correctement et qu'elles ne soient pas coincées, et contrôlez si des parties sont cassées ou endommagées de telle sorte que le bon fonctionnement de l'appareil s'en trouve entravé. Faites réparer les parties endommagées avant d'utiliser l'appareil.** De nombreux accidents sont dus à des outils électroportatifs mal entretenus.
- f. **Maintenez les outils de coupe aiguisés et propres.** Des outils soigneusement entretenus avec des bords tranchants bien aiguisés se coincent moins souvent et peuvent être guidés plus facilement.
- g. **Utilisez les outils électroportatifs, les accessoires, les outils à monter etc. conformément à ces instructions et aux prescriptions en vigueur pour ce type d'appareil. Tenez compte également des conditions de travail et du travail à effectuer.** L'utilisation des outils électroportatifs à d'autres fins que celles prévues peut entraîner des situations dangereuses.
- h. **Gardez les poignées dans un état sec, propre et exempt d'huile et de graisse.** Des poignées glissantes ne permettent pas une prise en main sûre et le contrôle de l'outil électrique dans des situations inattendues.

#### 5 UTILISATION ET EMPLOI SOIGNEUX DES APPAREILS SANS FIL

- a. **Ne chargez les accumulateurs que dans des chargeurs recommandés par le fabricant.** Un chargeur approprié à un type spécifique d'accumulateur peut engendrer un risque d'incendie lorsqu'il est utilisé avec d'autres accumulateurs.
- b. **Dans les outils électroportatifs, n'utilisez que les accumulateurs spécialement prévus pour celui-ci.** L'utilisation de tout autre accumulateur

peut entraîner des blessures et des risques d'incendie.

- c. **Tenez l'accumulateur non-utilisé à l'écart de toutes sortes d'objets métalliques tels qu'agrafes, pièces de monnaie, clés, clous, vis ou autres, étant donné qu'un pontage peut provoquer un court-circuit.** Un court-circuit entre les contacts d'accu peut provoquer des brûlures ou un incendie.
- d. **En cas d'utilisation abusive, du liquide peut sortir de l'accumulateur. Evitez tout contact avec ce liquide. En cas de contact par mégarde, rincez soigneusement avec de l'eau. Au cas où le liquide rentrerait dans les yeux, consultez en plus un médecin.** Le liquide qui sort de l'accumulateur peut entraîner des irritations de la peau ou causer des brûlures.
- e. **Ne pas utiliser une batterie ou un outil qui est endommagé ou modifié.** Les batteries endommagées ou modifiées peuvent présenter un comportement imprévisible de provoquer un incendie, d'explosion ou de risque de blessure.
- f. **Ne pas exposer une batterie ou un outil au feu ou à une température excessive.** L'exposition à un incendie ou une température supérieure à 130 ° C peut provoquer une explosion.

## 6 SERVICE

- a. **Ne faites réparer votre outil électroportatif que par un personnel qualifié et seulement avec des pièces de rechange d'origine.** Ceci permet d'assurer la sécurité de l'appareil.
- b. **Ne jamais services des batteries endommagés.** Service des batteries ne doit être effectuée par le fabricant ou fournisseurs de services autorisés.

## Consignes de sécurité spécifiques à la machine

- **Ne tenez la machine que par l'intermédiaire des poignées isolées, si vous êtes susceptibles de toucher des lignes électriques cachées lorsque vous travaillez avec la machine.** Si des outils touchent des lignes électriques, des pièces métalliques de la machine peuvent être mises sous tension et asséner une décharge électrique à l'utilisateur.
- **Fixez et bloquez la pièce au moyen de serre-joints ou d'une autre manière sur un support stable.** Si vous maintenez la pièce uniquement avec la main ou la bloquez uniquement contre votre corps, elle reste instable, ce qui peut conduire à une perte de contrôle.

- **La lumière stroboscopique peut entraîner des chocs épileptiques chez les personnes sensibles.** N'utilisez pas cette machine si vous souffrez d'épilepsie.
- Ne regardez pas en direction de la lumière stroboscopique. Le regard dans la source lumineuse risque d'endommager la vue.

## Consignes de sécurité additionnelles

- **Au cours du travail, des poussières nocives/toxiques peuvent être générées (comme les poussières de peintures au plomb et certaines poussières de bois).** Le contact ou l'inhalation de ces poussières peut présenter un danger pour l'utilisateur ou les personnes se trouvant à proximité. Veuillez respecter les prescriptions de sécurité en vigueur dans votre pays.



Pour votre santé, portez un masque de protection respiratoire de classe P2.

- **Les outils électriques de Festool doivent uniquement être montés sur des tables de travail prévues par Festool à cet effet.** Le montage sur d'autres tables de travail ou des tables réalisées par soi-même peut rendre l'outil électrique instable et conduire à de graves accidents.

## Travail de métaux



Pour des raisons de sécurité, respectez les mesures suivantes lors de l'usinage de métal :

- Raccordez l'outil à un aspirateur approprié.
- Nettoyez régulièrement les dépôts de poussières accumulés dans le carter moteur.
- Utilisez une lame de scie pour métal.
- Fermez le protecteur contre les projections de copeaux.



Portez des lunettes de protection !

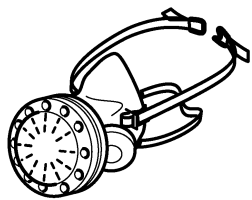
## La poussière, un risque pour la santé



**AVERTISSEMENT!** Certaines poussières créées par le ponçage mécanique, le sciage, le meulage, le perçage et autres activités reliées à la construction contiennent des substances chimiques connues (dans l'État de la Californie) comme pouvant causer le cancer, des anomalies congénitales ou représenter d'autres dangers pour

la reproduction. Voici quelques exemples de telles substances:

- plomb provenant de peintures à base de plomb,
- silice cristallisée utilisée dans les briques, le ciment et autres matériaux de maçonnerie, et
- arsenic et chrome du bois d'oeuvre traité avec un produit chimique.



Le risque d'exposition à de tels produits varie selon la fréquence à laquelle vous faites ce genre de travail. Pour réduire les risques d'exposition à

ces substances chimiques : travaillez dans un endroit adéquatement ventilé et utilisez un équipement de sécurité approuvé, tel que masques anti-poussières spécialement conçus pour filtrer les particules microscopiques.



## AVERTISSEMENT

**POUR RÉDUIRE LE RISQUE DE DOMMAGES, L'UTILISATEUR DOIT LIRE LE MANUEL D'INSTRUCTION.**

## Caractéristiques techniques

| Scies sauteuses sans fil  | PSC 420 EB         | PSBC 420 EB       |
|---|--------------------|-------------------|
| Tension du moteur   | 10.8 - 18 V        |                   |
| Cadence de coupe  | 1500 - 3800 tr/mn  | 1000 - 3800 tr/mn |
| Longueur de course  | 1.02 '' (26 mm)    |                   |
| Course pendulaire   | 4 paliers          |                   |
| Position inclinée max. (uniquement avec accessoire table angulaire WT-PS 400) | 45° des deux côtés |                   |
| Profondeur de coupe max. (en fonction de la lame de scie)                     |                    |                   |
|   | Bois               | 120 mm (4-3/4 '') |
|   | Aluminium          | 20 mm (3/4 '')    |
|   | Acier              | 10 mm (3/8 '')    |
| Poids sans batterie   | 4.2 lbs (1.9 kg)   |                   |

## Description fonctionnelle

Des éléments fournis sont disponibles sur le volet qui se trouve au début de cette notice d'utilisation. Vous pouvez ainsi déplier cette page et visualiser en permanence les différentes parties de l'outil lorsque vous lisez la notice.

- |   |   |
|---|---|
| <p><b>[1-1]</b> Protecteur contre les projections de copeaux</p> <p><b>[1-2]</b> Interrupteur de marche/arrêt</p> <p><b>[1-3]</b> Gâchette d'accélération (uniquement PSBC 420 EB)</p> <p><b>[1-4]</b> Blocage de mise en marche (uniquement PSBC 420 EB)</p> | <p><b>[1-5]</b> Molette de réglage de la cadence de coupe</p> <p><b>[1-6]</b> Touches pour desserrer l'accumulateur</p> <p><b>[1-7]</b> Raccord d'aspiration</p> <p><b>[1-8]</b> Levier pour table de sciage</p> <p><b>[1-9]</b> Ejecteur de lame de scie</p> <p><b>[1-10]</b> Table de sciage interchangeable</p> <p><b>[1-11]</b> Commutateur de course pendulaire</p> <p><b>[1-12]</b> Semelle</p> |
|---|---|

## Utilisation en conformité avec les instructions

Les scies sauteuses sont conçues de façon conforme aux prescriptions pour le sciage de bois et de matériaux similaires. Avec les lames de scie spéciales proposées par Festool, vous pouvez également utiliser les machines pour le sciage de plastiques, d'acier, d'aluminium, d'alliages cuivre / zinc et de plaques en céramiques.

Les outils électriques Festool doivent uniquement être montés sur une table de travail prévue par

Festool à cet effet. Du fait du montage sur une autre table de travail ou sur une table de travail réalisée par vos propres soins, l'outil électrique peut devenir instable et entraîner des blessures graves.



### AVERTISSEMENT

**Seul l'utilisateur est tenu responsable des dommages qui résulteraient d'une utilisation non conforme aux prescriptions.**

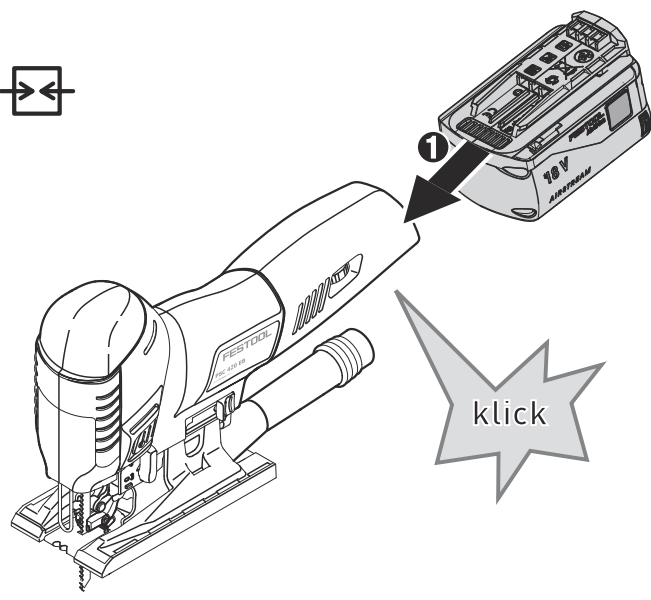
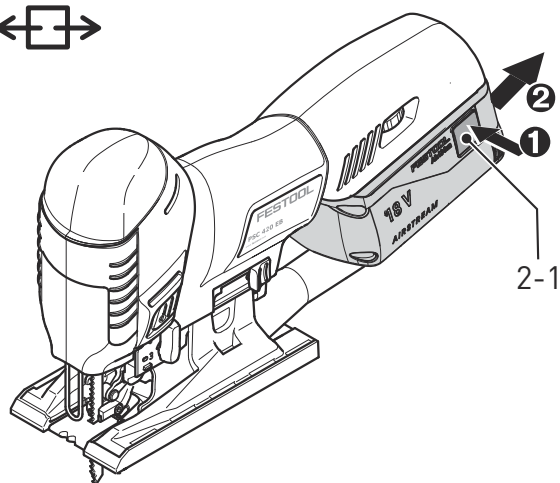
## Mise en service

### Remplacement de la batterie [2]

#### Retirer la batterie

- ▶ Pressez les deux touches [2-1].
- ▶ Retirez la batterie par l'avant.

2



### Insérer la batterie

- ▶ Insérez la batterie jusqu'à l'enclenchement dans le logement sur la partie inférieure de la poignée, comme indiqué sur la figure 2.
- ① Toutes les batteries Festool de la série **BPC** peuvent être utilisées avec les scies sauteuses sans fil.



**Risque de blessure !** Les blocs batteries de la série BPC ne doivent être utilisés que si le clip pour ceinture a été enlevé du bloc batteries.



## Réglages

Attention aux illustrations au début de la présente notice d'utilisation.



### AVERTISSEMENT

#### Risque de blessures

- ▶ Retirer systématiquement la batterie de l'outil avant tous les travaux sur l'outil !

### Réglage de la course pendulaire

Afin de pouvoir usiner différents matériaux avec une avance optimale, les scies sauteuses sont pourvues d'une course pendulaire réglable. L'interrupteur de course pendulaire [1-11] permet de sélectionner la position souhaitée :

Position 0 = course pendulaire désactivée

Position 3 = course pendulaire maximale

#### Réglage recommandé de la course pendulaire

|   |       |
|---|-------|
| Bois tendre, panneaux de particules, panneaux de fibres | 1 - 3 |
| Lamellés collés, contreplaqués, matières plastiques     | 1 - 2 |
| Céramique   | 0     |
| Aluminium, métaux non ferreux                           | 0 - 2 |
| Acier, bois dur   | 0 - 1 |

### Régulation de la cadence de coupe

La molette [1-5] permet de régler en continu la cadence de coupe entre 1500 et 3800 tr/mn (PSBC 420 EB : 1000 - 3800 tr/mn). Vous pouvez ainsi adapter de façon optimale la vitesse de coupe à chaque matériau.

En position **A**, la détection de charge automatique est activée : la cadence de coupe est réduite au ralenti et est régulée vers la valeur maximale lorsque la lame entre en contact avec la pièce.

#### Cadence de coupe recommandée (position de la molette)

|   |       |
|---|-------|
| Bois durs, bois tendres, lamellés collés, contreplaqués, panneaux de particules | A     |
| Plaques en fibres de bois   | 4 - A |
| Matières plastiques   | 3 - A |
| Céramique, aluminium, métaux non ferreux  | 3 - 5 |

#### Cadence de coupe recommandée (position de la molette)

Acier 2 - 4

### Utilisation du protecteur contre les projections de copeaux

Le protecteur contre les projections de copeaux [1-1] empêche la projection des copeaux et améliore l'efficacité de l'aspiration des copeaux.

- ▶ Poussez le protecteur contre les projections de copeaux [1-1] vers le bas, en exerçant une légère pression.

### Remplacement de la table de sciage

- ▶ Ouvrez le levier [1-8].
- ▶ Retirez la table de sciage par le bas.
- ⓘ Le montage s'effectue dans l'ordre inverse ! Assurez-vous que la table de sciage repose correctement dans le guide.

A la place de la table de sciage, il est possible de monter la table angulaire WT-PS 400 ou la table adaptable ADT-PS 400.



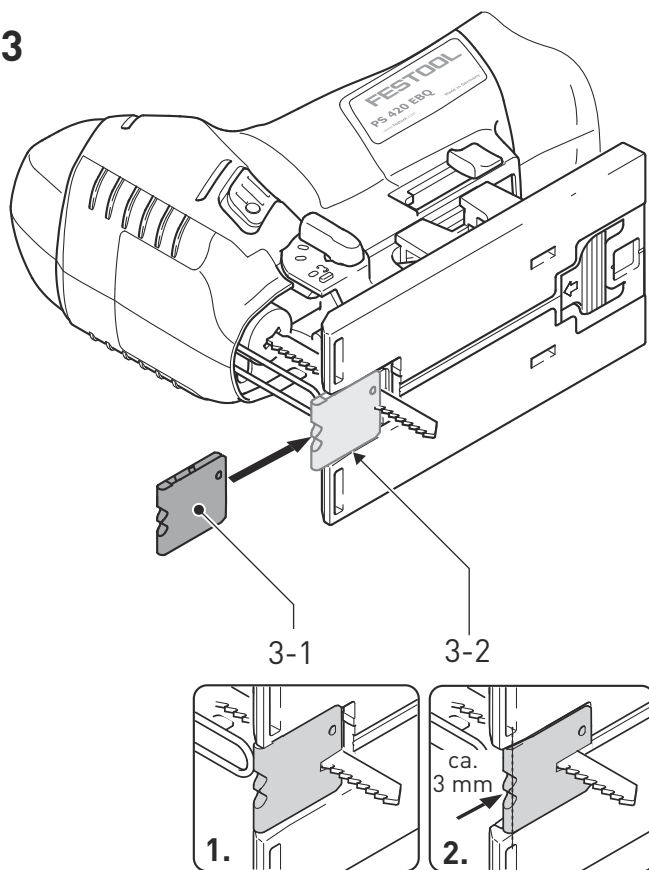
Ne sciez jamais sans la table de sciage, ou l'une des tables proposées par Festool dans sa gamme d'accessoires.

### Montage du pare-éclats

Le pare-éclats permet des découpes sans éclats sur le côté sortie de la lame de scie.

- ▶ Machine hors tension, poussez le pare-éclats [3-1] jusqu'à la lame sur le guidage [3-2].
- ▶ Mettez la scie sauteuse en marche,
- ▶ Machine sous tension, poussez le pare-éclats sur une surface plane (**pas avec la main !**) jusqu'à ce qu'il soit au même niveau que le bord avant de la table de sciage (vitesse 5). A cette occasion le pare-éclats est entaillé.
- ⓘ Après l'usure, il est possible de continuer d'utiliser le pare-éclats en le poussant d'env. 3 mm supplémentaires vers l'arrière.
- ⓘ Afin que le pare-éclats fonctionne de façon fiable, il doit se trouver des deux côtés très près de la lame de scie. Pour garantir des découpes sans éclats, un nouveau pare-éclats devrait être monté à chaque changement de lame de scie.

3



### Aspiration

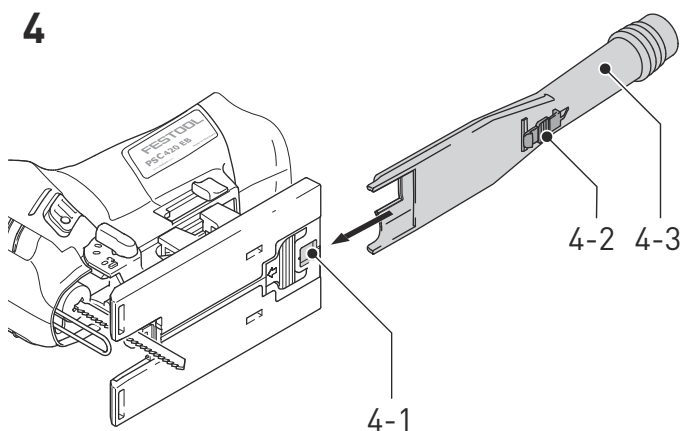


### AVERTISSEMENT

#### Risques pour la santé dus aux poussières

- ▶ Les poussières peuvent être dangereuses pour la santé. Pour cette raison, ne travaillez jamais sans aspiration.
- ▶ Respectez toujours les prescriptions nationales en vigueur lors de l'aspiration de poussières dangereuses pour la santé.

4



L'adaptateur d'aspiration [4-3] permet de raccorder les scies sauteuses à un aspirateur (diamètre de tuyau 27 mm).

- ▶ Insérez l'adaptateur d'aspiration dans l'ouverture arrière de la table de sciage, de manière à ce que le crochet [4-2] s'engage dans l'évidement [4-1].
- ▶ Pour retirer l'adaptateur d'aspiration, pressez le crochet [4-2].
- ① Du fait de la faible puissance absorbée de la machine (faible consommation d'énergie), les aspirateurs avec dispositif de mise en marche automatique s'enclenchent parfois seulement lors de la coupe effective.
- ▶ Pour certains cas d'application spéciaux (par ex. faible cadence de coupe, bois tendre), réglez l'aspirateur en mode de fonctionnement continu.

### Remplacement d'outil



### ATTENTION

#### Outil chaud et tranchant

#### Risque de blessures

- ▶ Ne pas utiliser d'outil émoussé ou défectueux !
- ▶ Porter des gants de protection.

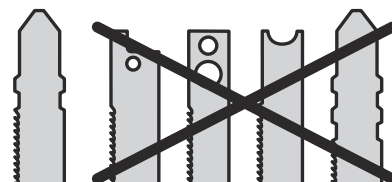


Ne utiliser des lames de scie déformées ou fendues ainsi que des lames de scie avec des taillants émoussés ou défectueux.

#### Choix de la lame de scie



Utilisez uniquement des lames de scie avec queue à une came (queue en T). La lame de scie ne devrait pas être plus longue que la découpe prévue. Afin de garantir un guidage sûr, lors de la coupe la lame de scie devrait sortir en bas de la pièce en chaque point.



- ① En cas d'utilisation de la table angulaire et de la table adaptable, utilisez uniquement des lames de scie croisées. Nous recommandons l'utilisation de la lame de scie Festool S 105/4 FSG.

## Montage de la lame de scie



### AVERTISSEMENT

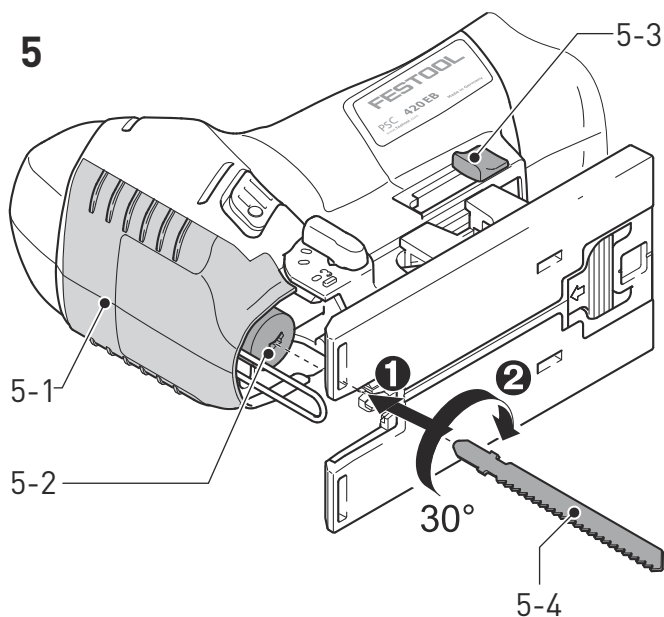
#### Risque de blessures

- ▶ Retirer systématiquement la batterie de l'outil avant tous les travaux sur l'outil !
- ▶ Poussez le cas échéant le protecteur contre les projections de copeaux [1-1] vers le haut.
- ▶ Placez la lame de scie [5-4] jusqu'à la butée dans l'ouverture de façon à ce que les dents soient dans le direction de coupe [5-2].
- ▶ Tournez la lame de scie [5-4] d'env. 30° dans le sens des aiguilles d'une montre jusqu'à ce qu'elle s'enclenche.



Contrôlez la bonne fixation de la lame de scie. Une lame de scie mal fixée peut être éjectée et vous blesser.

- ① Dans le cas de lames de scie très courtes, il est recommandé de retirer la table de sciage (voir chapitre Remplacement de la table de sciage) avant de monter la lame de scie.



## Après chaque changement de lame, réglez le guidage de lame :

Le guidage de lame permet de mieux guider la lame de scie.

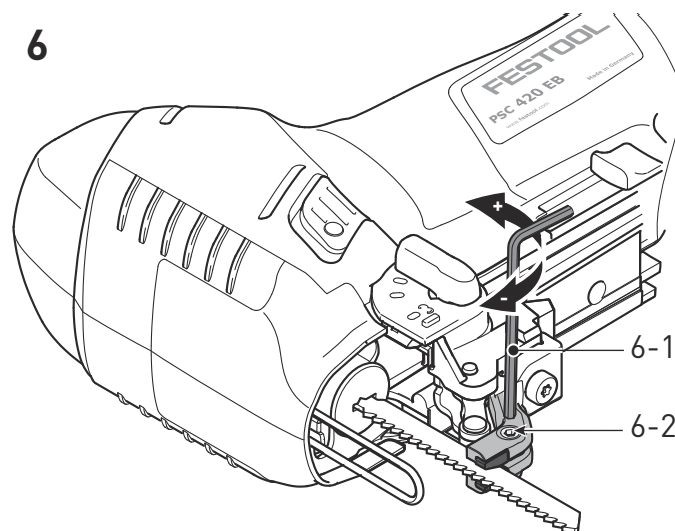
- ▶ Retirez la table de sciage (voir chapitre Remplacement de la table de sciage).
- ▶ Serrez la vis [6-2] à l'aide de la clé Allen [6-1] afin que les joues affleurent la lame de scie.

### AVIS

#### Dommmages de l'outil, de la lame de scie

- ▶ Ne serrez pas trop fort la vis [6-2] ! La lame de scie doit avoir un peu de jeu.

6



#### Ejection de la lame de scie

- ① Lors de l'éjection de la lame de scie, maintenez l'outil électrique de manière à ne pas risquer de blesser des personnes ou des animaux par l'éjection de la lame de scie.
- ▶ Poussez le dispositif d'éjection de la lame de scie [5-3] vers l'avant, jusqu'en butée.
- ① Le changement de l'outil est uniquement possible en position supérieure du porte-outil.

**Si le changement de lame n'est pas possible** : laissez tourner la scie sauteuse pendant 3 à 10 secondes à vitesse élevée puis réessayez. Activez de nouveau [5-3] l'éjecteur de lame de scie.

## Travail avec la machine



### ATTENTION

**Matériaux générant des poussières importantes (p. ex. placoplâtre)**

**Endommagement de la machine par pénétration de poussières, risques de blessures**

- ▶ Ne pas travailler au-dessus de la tête !



### AVERTISSEMENT

**Risques de blessures**

- ▶ Vérifiez que la lame est bien fixée avant de mettre la scie en marche.
- ▶ Il faut toujours approcher la scie de la pièce à scier avec la lame en marche.
- ▶ Arrêtez l'immobilisation complète de la machine électrique avant de la déposer. L'outil peut se bloquer et conduire à une perte de contrôle de la machine électrique.

En travaillant des pièces de petite taille ou des pièces minces, utilisez toujours un support stable.

Maintenez l'outil électrique par le biais de la poignée pendant le travail et guidez-le le long de la ligne de coupe souhaitée. Pour garantir des découpes précises et un fonctionnement sans à-coups, guidez l'outil électrique avec les deux mains.

### Guidage libre le long d'un tracé

Grâce à sa pointe triangulaire, le pare-éclats **[3-1]** indique la ligne de coupe de la lame de scie. Il facilite de ce fait le sciage le long d'un tracé.

### Marche/Arrêt

L'outil électrique est équipé d'un bouton **[1-2]** des deux côtés pour la mise en marche / l'arrêt.

La scie PSBC 420 EB dispose en plus d'une gâchette d'accélération **[1-3]** avec blocage de mise en marche **[1-4]**. Utilisez le bouton **[1-2]** pour le fonctionnement en continu.

## Eclairage



### AVERTISSEMENT

**La position de la lame de scie peut être mal perçue du fait de la lumière stroboscopique**

**Risques de blessures**

- ▶ Veillez à un éclairage suffisant au poste de travail.



### AVERTISSEMENT

**Le regard dans la source lumineuse risque d'endommager la vue.**

- ▶ Ne regardez pas en direction de la lumière stroboscopique.

Une lumière continue / une lumière stroboscopique est intégrée pour éclairer la ligne de coupe :

jusqu'à env. 2 100 tr/mn : lumière continue

à partir d'env. 2 100 tr/mn : lumière stroboscopique

- ① En position au-dessus de la tête (+/- 45°), l'éclairage est entièrement désactivé.

Vous pouvez au besoin adapter l'éclairage :

- ▶ Branchez l'outil électrique.
- ▶ Maintenez les deux boutons **[1-2]** pressés pendant env. 10 s jusqu'à ce qu'un bip se fasse entendre.
- ▶ Relâchez les deux boutons **[1-2]**.
- ▶ Pressez le bouton gauche (sur le côté de la course pendulaire) autant de fois que voulu afin de sélectionner le mode souhaité :

| Mode | Affichage pendant le réglage | Comportement à l'utilisation      |
|------|------------------------------|-----------------------------------|
| 1    | L'éclairage clignote         | avec stroboscope (standard)       |
| 2    | Éclairage allumé             | Lumière continue sans stroboscope |
| 3    | Éclairage éteint             | Éclairage désactivé               |

- ▶ Pressez le bouton droit pour mémoriser le réglage.

## Signaux d'avertissement sonores

Des signaux d'avertissement sonores retentissent lors des états de fonctionnement suivants et la machine s'arrête :



peep — —

### Batterie déchargée ou machine surchargée.

- Remplacez la batterie.
- Réduisez la charge sur la machine.



peep peep —

### La machine est surchauffée.

- Après refroidissement, vous pouvez remettre la machine en marche.



peep peep peep —

### La batterie Li-ion est surchauffée ou défectueuse.

- Contrôlez sa capacité de fonctionnement avec le chargeur, avec la batterie refroidie.

## Accessoires

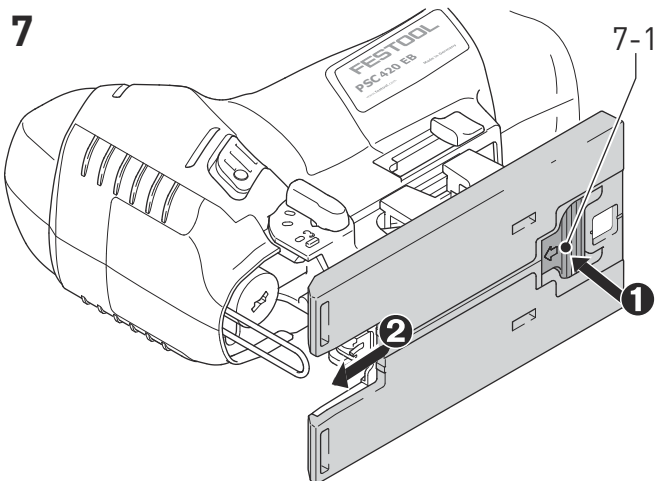
Utilisez uniquement les accessoires Festool et consommables Festool d'origine prévus pour cette machine, car ces composants systèmes sont parfaitement adaptés les uns par rapport aux autres. Si vous utilisez des accessoires et consommables d'autres marques, la qualité du résultat peut être dégradée et les recours en garantie peuvent être soumis à des restrictions. L'usure de la machine ou votre charge personnelle peuvent augmenter selon chaque application. Pour cette raison, protégez-vous, votre machine et vos droits à la garantie en utilisant exclusivement des accessoires Festool et des consommables Festool d'origine !

Les références des accessoires et des outils figurent dans le catalogue Festool ou sur Internet sous "[www.festoolusa.com](http://www.festoolusa.com)".

### Lames de scie, autres accessoires

Afin de pouvoir découper rapidement et proprement différents matériaux, Festool vous propose pour tous les cas d'utilisation des lames de scie spécialement adaptées à votre scie sauteuse Festool.

### Sciage avec semelles spéciales



Les semelles spéciales protègent les surfaces de qualité contre les rayures et les stries.

- ▶ Pressez la semelle au niveau de la position [7-1].
- ▶ Poussez simultanément la semelle vers l'avant.
- ▶ Montez une autre semelle et poussez-la vers l'arrière, jusqu'à ce qu'elle s'enclenche.

### Sciage avec la table angulaire

La table angulaire WT-PS 400 permet le sciage d'angles intérieurs et d'angles extérieurs jusqu'à 45°, ainsi que de tubes.



Aucune aspiration n'est possible lors du sciage avec la table angulaire !

## Montage de la table angulaire

- ▶ Retirez la table de sciage **[1-10]** (voir chapitre Remplacement de la table de sciage).
- ▶ Montez la table angulaire sur le support de table de la scie.
- ▶ Fermez le levier **[1-8]**.

Assurez-vous que la table angulaire repose correctement dans le guide.

## Réglage de l'angle

- ▶ Tournez la molette **[8-1]** pour régler l'angle souhaité.

Vous pouvez régler les valeurs  $-45^\circ$ ,  $0^\circ$  et  $+45^\circ$  à l'aide de l'échelle **[8-2]**.



## AVERTISSEMENT

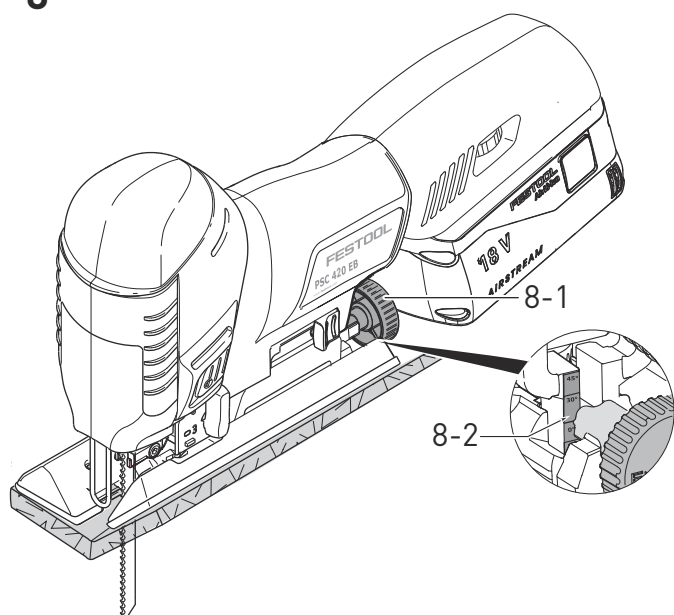
### Sciage, profondeurs de coupe

#### Risques de blessures

- ▶ Sélectionnez la longueur de lame de scie et la profondeur de coupe de manière à ce que la lame de scie reste systématiquement plongée dans la pièce.

- ① En cas de coupes à  $0^\circ$ , nous recommandons de régler la table angulaire sur une valeur légèrement négative, afin de garantir un fonctionnement stable.

8



## Sciage avec la table adaptable



## AVERTISSEMENT

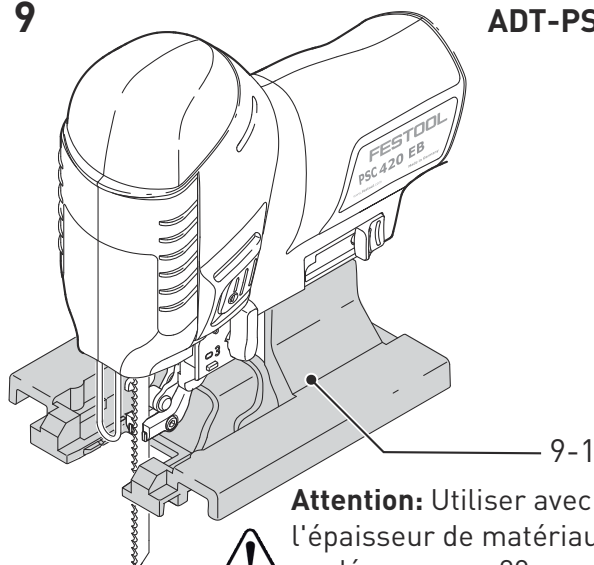
### Risques de blessures

- ▶ Retirez systématiquement la batterie de la machine avant le montage de la table adaptable !

La table adaptable ADT-PS 400 permet de fixer votre scie sauteuse sur le rail de guidage Festool et sur le compas KS-PS 400.

9

ADT-PS 400



**Attention:** Utiliser avec l'épaisseur de matériau max. ne dépasse pas 20 mm et n'utilisez que des lames de scie croisées (FSG).



**Rails de guidage et découpe circulaire compris, veillez à ce que l'épaisseur de matériau max. ne dépasse pas 20 mm** et n'utilisez que des lames de scie croisées (FSG).

## Montage de la table adaptable

- ▶ Retirez la table de sciage **[1-10]**, (voir chapitre Remplacement de la table de sciage).
- ▶ Montez la table adaptable **[9-1]** sur le support de table de la scie.
- ▶ Fermez le levier **[1-8]**.

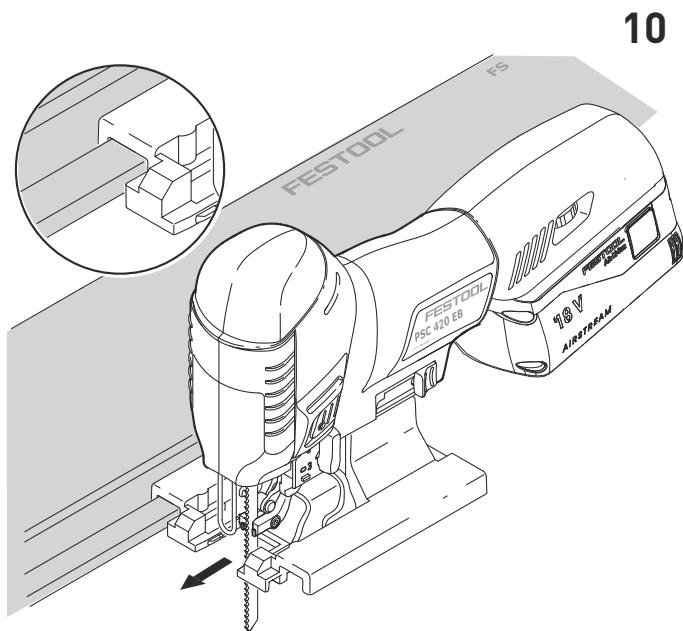
Assurez-vous que la table adaptable repose correctement dans le guide.

- ① Utilisez également le raccord d'aspiration **[1-7]** avec la table adaptable.

## Adaptation au rail de guidage FS 2

L'utilisation du système de guidage Festool FS 2 (image **[10]**) vous facilite la réalisation de coupes rectilignes et précises.

- ▶ Montez la scie sauteuse avec la table adaptatrice **[9-1]** fixée sur le rail de guidage.

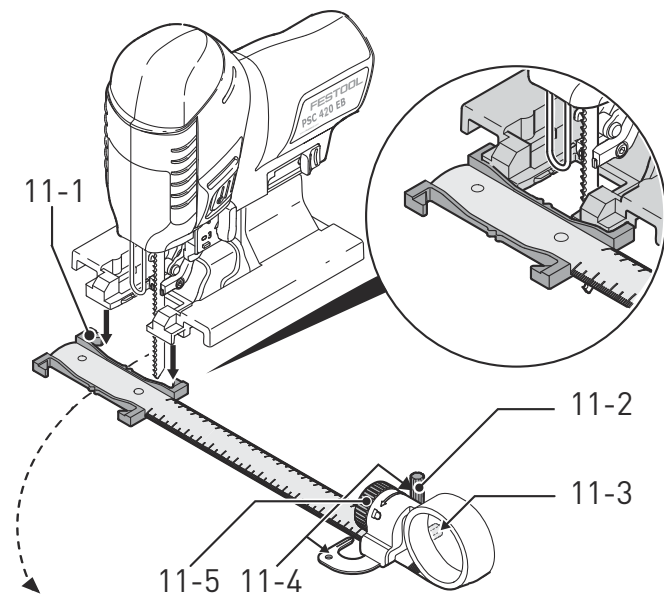


## Adaptation sur le compas

Avec l'aide du compas, il est possible de réaliser des découpes circulaires d'un diamètre compris entre 120 et 3000 mm. Le compas peut être monté des deux côtés sur la table adaptatrice.

KS-PS 400

11



- ▶ Montez la scie sauteuse avec la table adaptatrice sur l'adaptateur **[11-1]** du compas.
- ▶ Insérez la broche de centrage **[11-2]** dans l'orifice **[11-4]** du compas qui se trouve dans l'ali-

gnement de la lame de scie.

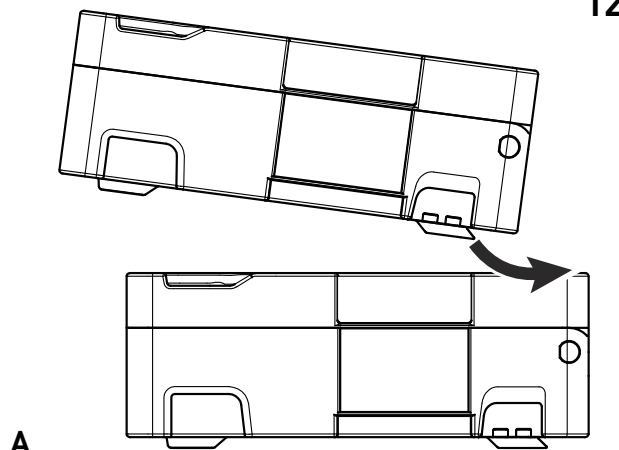
- ▶ Bloquez le mètre ruban sur le compas à l'aide du bouton tournant **[11-5]**.

Réglages recommandés lors du sciage avec le compas :

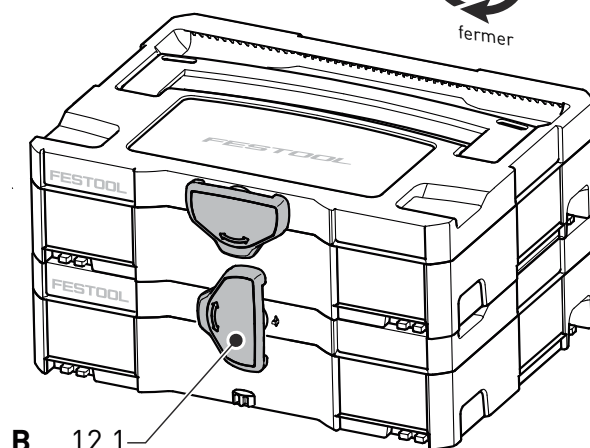
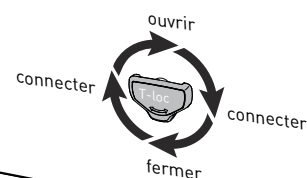
- ▶ Sciez dans le sens inverse des aiguilles d'une montre.
  - ▶ Sciez avec une avance lente.
  - ▶ Réglez la course pendulaire **[1-11]** sur 0 - 1.
  - ▶ Réglez le nombre de courses **[1-5]** sur 1 - 5.
- ⓘ Conservez la broche de centrage dans le compartiment de rangement **[11-3]**.

## Systainer

12



A



B

## Systainer

De nombreux produits Festool sont fournis dans une caisse exclusive, appelée "Systainer". Celle-ci permet de protéger et de ranger des outils et des appareils complémentaires. Les Systainer sont

empilables et peuvent être solidarisés. En outre, ils se fixent sur les aspirateurs CT Festool.

### Pour ouvrir le Systainer



Tournez le T-loc [12-1] à cette position.

### Pour fermer le Systainer



Tournez le T-loc [12-1] à cette position.

### Pour connecter deux Systainers

Placez un Systainer au dessus de l'autre (Fig. [12 A]).



Tournez le T-loc [12-1] à une de ces positions (Fig. [12 B]).

Les Systainers sont combinés.

- ① Un Systainer de la nouvelle génération peut être attaché au dessus d'un Systainer de l'ancienne génération par les quatre loquets de l'ancien Systainer.

## Entretien et maintenance



### AVERTISSEMENT

**Tout travail de maintenance ou de réparation, qui nécessite l'ouverture du moteur ou du carter d'engrenages doit uniquement être effectué par un centre service-client autorisé (nom fourni par votre revendeur) !**

- Les travaux de maintenance ou de réparation effectués par un personnel non autorisé peuvent conduire à la mauvaise connexion de câbles d'alimentation ou d'autres composants, ce qui peut entraîner à son tour des accidents avec des conséquences graves.



Utilisez uniquement des pièces de rechange Festool d'origine. Référence sur: [www.festoolusa.com/service](http://www.festoolusa.com/service)

N'ouvrez pas la batterie, ni le chargeur. La tension au condensateur à l'intérieur du chargeur reste élevée même après le débranchement du réseau.

Les dispositifs de protection et les composants endommagés doivent être réparés ou remplacés dans les règles de l'art par un atelier spécialisé agréé, dans la mesure où cela n'est pas spécifié différemment dans la notice d'utilisation.

### Observez les consignes suivantes :

- Maintenez les ouvertures d'aération sur la machine électrique et sur le chargeur dans un état propre, afin de garantir le refroidissement.
- Maintenez les contacts de raccordement sur la machine électrique, le chargeur et la batterie dans un état propre.
- Contrôlez régulièrement l'état d'usure du galet de guidage.
- Nettoyez régulièrement les dépôts de poussières sur le capot anti-projections.
- Nettoyez régulièrement la semelle, afin d'éviter des rayures et des stries sur la surface.



Pour l'entretien, la maintenance, la mise au rebut et le transport du bloc batteries, respecter les messages d'avertissement joints au bloc batteries !



### AVERTISSEMENT

#### Risques de blessures, choc électrique

- Retirez systématiquement la batterie de la machine avant tous les travaux de maintenance et d'entretien !



Seuls le fabricant et un atelier homologué sont habilités à effectuer **toute réparation ou service**. Les adresses à proximité sont disponibles sur: [www.festoolusa.com/service](http://www.festoolusa.com/service)

## Environnement

**Ne jetez pas l'appareil avec les ordures ménagères !** Éliminez l'appareil, les accessoires et les emballages de façon compatible avec l'environne-

ment. Respectez les prescriptions nationales en vigueur.



## Índice

|                                   |    |                               |    |
|-----------------------------------|----|-------------------------------|----|
| Símbolos.....                     | 33 | Puesta en servicio .....      | 38 |
| Sobre este manual .....           | 33 | Ajustes .....                 | 38 |
| Indicaciones de seguridad .....   | 34 | Trabajo con la máquina .....  | 41 |
| Datos técnicos .....              | 37 | Accesorios.....               | 43 |
| Descripción de las funciones..... | 37 | Mantenimiento y cuidado ..... | 46 |
| Uso conforme a lo previsto .....  | 37 | Medio ambiente .....          | 46 |

## Símbolos

| Sím-bolo | Significado   | Sím-bolo          | Significado                      |
|----------|---|-------------------|----------------------------------|
|          | Aviso de peligro general  | V                 | voltios                          |
|          | Peligro de electrocución  | A                 | amperios                         |
|          | ¡Leer el manual de instrucciones y las indicaciones de seguridad! | Hz                | hertzios                         |
|          | ¡Usar protección para los oídos!                                  | ~ a.c.            | tensión alterna                  |
|          | ¡Utilizar guantes de protección!                                  | — d.c.            | tensión continua                 |
|          | ¡Utilizar protección respiratoria!                                | $n_0$             | revoluciones por minuto en vacío |
|          | ¡Utilizar gafas de protección!                                    | rpm               | revoluciones por minuto          |
|          | No depositar en la basura doméstica.                              | $\text{min}^{-1}$ |                                  |
|          | Consejo, indicación   | tr/mn             |                                  |
|          | Guía de procedimiento   | "                 | pulgada                          |
|          |   | lb.               | libras                           |
|          |   | $\varnothing$     | Diámetro                         |
|          |   | °C                | centígrados                      |
|          |   | °F                | grados Fahrenheit                |
|          |   | Nm                | Newton metro                     |
|          |   | mm                | milímetro                        |



## Sobre este manual

### Guarde estas instrucciones

Es importante que usted lea y entienda este manual. La información que contiene se relaciona con la protección de **su seguridad y la prevención de problemas**. Los símbolos que siguen se utilizan para ayudarlo a reconocer esta información.


|  |                |   |
|--|----------------|---|
|  | <b>PELIGRO</b> | Descripción de peligro inminente y fracaso para evitar riesgos que podran causar la muerte. |
|--|----------------|---|

|  |                    |   |
|--|--------------------|---|
|  | <b>ADVERTENCIA</b> | Descripción de peligro y posibles lesiones resultantes o la muerte. |
|  | <b>PRECAUCIÓN</b>  | Descripción de peligro y posibles lesiones resultantes.             |

|  |   |
|--|---|
|  AVISO    | Declaración incluyendo el tipo de riesgo y posible resultados.                    |
|  CONSEJO | Indica informaciones, notas, o consejos para mejorar su éxito con la herramienta. |

## Indicaciones de seguridad

### Indicaciones de seguridad generales

 **¡ATENCIÓN!** Lea íntegramente las instrucciones e indicaciones de seguridad. El incumplimiento de dichas instrucciones e indicaciones puede dar lugar a descargas eléctricas, incendios o lesiones graves.

**Guardar todas las advertencias de peligro e instrucciones para futuras consultas.**

El término herramienta eléctrica empleado en las siguientes advertencias de peligro se refiere a herramientas eléctricas de conexión a la red (con cable de red) y a herramientas eléctricas accionadas por acumulador (o sea, sin cable de red).

#### 1 PUESTO DE TRABAJO

- Mantenga limpio y bien iluminado su puesto de trabajo.** El desorden y una iluminación deficiente en las áreas de trabajo pueden provocar accidentes.
- No utilice la herramienta eléctrica en un entorno con peligro de explosión, en el que se encuentren combustibles líquidos, gases o material en polvo.** Las herramientas eléctricas producen chispas que pueden llegar a inflamar los materiales en polvo o vapores.
- Mantenga alejados a los niños y otras personas de su puesto de trabajo al emplear la herramienta eléctrica.** Una distracción le puede hacer perder el control sobre el aparato.

#### 2 SEGURIDAD ELÉCTRICA

- El enchufe del aparato debe corresponder a la toma de corriente utilizada. No es admisible modificar el enchufe en forma alguna. No emplear adaptadores en aparatos dotados con una toma de tierra.** Los enchufes sin modificar adecuados a las respectivas tomas de corriente reducen el riesgo de una descarga eléctrica.
- Evite que su cuerpo toque partes conectadas a tierra como tuberías, radiadores, cocinas y refrigeradores.** El riesgo a quedar expuesto a una sacudida eléctrica es mayor si su cuerpo tiene contacto con tierra.

- No exponga las herramientas eléctricas a la lluvia y evite que penetren líquidos en su interior.** Existe el peligro de recibir una descarga eléctrica si penetran ciertos líquidos en la herramienta eléctrica.
- No utilice el cable de red para transportar o colgar el aparato, ni tire de él para sacar el enchufe de la toma de corriente. Mantenga el cable de red alejado del calor, aceite, esquinas cortantes o piezas móviles.** Los cables de red dañados o enredados pueden provocar una descarga eléctrica.
- Al trabajar con la herramienta eléctrica en la intemperie utilice solamente cables de prolongación homologados para su uso en exteriores.** La utilización de un cable de prolongación adecuado para su uso en exteriores reduce el riesgo de una descarga eléctrica.
- Si fuese imprescindible utilizar la herramienta eléctrica en un entorno húmedo, es necesario conectarla a través de un fusible diferencial.** La aplicación de un fusible diferencial reduce el riesgo a exponerse a una descarga eléctrica.

#### 3 SEGURIDAD DE PERSONAS

- Esté atento a lo que hace y emplee la herramienta eléctrica con prudencia. No utilice la herramienta eléctrica si estuviese cansado, ni tampoco después de haber consumido alcohol, drogas o medicamentos.** El no estar atento durante el uso de una herramienta eléctrica puede provocarle serias lesiones.
- Utilice un equipo de protección y en todo caso unas gafas de protección.** El riesgo a lesionarse se reduce considerablemente si, dependiendo del tipo y la aplicación de la herramienta eléctrica empleada, se utiliza un equipo de protección adecuado como una mascarilla antipolvo, zapatos de seguridad con suela antideslizante, casco, o protectores auditivos.
- Evite una puesta en marcha fortuita del aparato. Cerciorarse de que el aparato esté desconectado antes conectarlo a la toma de corriente.** Si transporta el aparato sujetándolo por el interruptor de conexión/desconexión, o si introduce el en-

chufe en la toma de corriente con el aparato conectado, ello puede dar lugar a un accidente.

- d. **Retire las herramientas de ajuste o llaves fijas antes de conectar la herramienta eléctrica.** Una herramienta o llave colocada en una pieza rotante puede producir lesiones al ponerse a funcionar.
- e. **Sea precavido. Trabaje sobre una base firme y mantenga el equilibrio en todo momento.** Ello le permitirá controlar mejor la herramienta eléctrica en caso de presentarse una situación inesperada.
- f. **Utilice ropa adecuada. No utilice ropa ancha ni objetos de joyería o bisutería. Mantenga el pelo y la ropa alejada de las piezas en movimiento.** La ropa suelta o el pelo largo pueden quedar atrapados por piezas en movimiento.
- g. **Siempre que sea posible utilizar unos equipos de aspiración o captación de polvo, asegúrese que éstos estén montados y que sean utilizados correctamente.** El empleo de estos equipos reduce los riesgos derivados del polvo.
- h. **No debe jamás confiarse por el uso frecuente de las máquinas e ignorar los principios de seguridad de la herramienta.** Un manejo imprudente puede ocasionar lesiones graves en fracciones de segundo.

#### 4 TRATO Y USO CUIDADOSO DE HERRAMIENTAS ELÉCTRICAS

- a. **No sobrecargue el aparato. Use la herramienta prevista para el trabajo a realizar.** Con la herramienta adecuada podrá trabajar mejor y más seguro dentro del margen de potencia indicado.
- b. **No utilice herramientas con un interruptor defectuoso.** Las herramientas que no se puedan conectar o desconectar son peligrosas y deben hacerse reparar.
- c. **Saque el enchufe de la red antes de realizar un ajuste en el aparato, cambiar de accesorio o al guardar el aparato.** Esta medida preventiva reduce el riesgo a conectar accidentalmente el aparato.
- d. **Guarde las herramientas fuera del alcance de los niños y de las personas que no estén familiarizadas con su uso.** Las herramientas utilizadas por personas inexpertas son peligrosas.
- e. **Cuide sus aparatos con esmero. Controle si funcionan correctamente, sin atascarse, las partes móviles del aparato, y si existen partes rotas o deterioradas que pudieran afectar al funcionamiento de la herramienta. Si la herramienta eléctrica estuviese defectuosa haga repararla antes de volver a utilizarla.** Muchos de los acci-

dentos se deben a aparatos con un mantenimiento deficiente.

- f. **Mantenga los útiles limpios y afilados.** Los útiles mantenidos correctamente se dejan guiar y controlar mejor.
- g. **Utilice herramientas eléctricas, accesorios, útiles, etc. de acuerdo a estas instrucciones y en la manera indicada específicamente para este aparato. Considere en ello las condiciones de trabajo y la tarea a realizar.** El uso de herramientas eléctricas para trabajos diferentes de aquellos para los que han sido concebidas puede resultar peligroso.
- h. **Mantenga las empuñaduras secas, limpias y libres de aceite y grasa.** Las empuñaduras resbaladizas no permiten una manipulación y un control seguros de la herramienta eléctrica en situaciones inesperadas.

#### 5 TRATO Y USO CUIDADOSO DE APARATOS ACCIONADOS POR ACUMULADOR

- a. **Solamente cargar los acumuladores con los cargadores recomendados por el fabricante.** Existe riesgo de incendio al intentar cargar acumuladores de un tipo diferente al previsto para el cargador.
- b. **Solamente emplee los acumuladores previstos para la herramienta eléctrica.** El uso de otro tipo de acumuladores puede provocar daños e incluso un incendio.
- c. **Si no utiliza el acumulador, guárdelo separado de clips, monedas, llaves, clavos, tornillos o demás objetos metálicos que pudieran puentear sus contactos.** El cortocircuito de los contactos del acumulador puede causar quemaduras o un incendio.
- d. **La utilización inadecuada del acumulador puede provocar fugas de líquido. Evite el contacto con él. En caso de un contacto accidental enjuagar el área afectada con abundante agua. En caso de un contacto con los ojos recurra además inmediatamente a un médico.** El líquido del acumulador puede irritar la piel o producir quemaduras.
- e. **No utilice una batería o una herramienta que está dañada o modificada.** Las baterías dañadas o modificadas pueden mostrar un comportamiento impredecible que resulta en un incendio, explosión o riesgo de lesiones.
- f. **No exponga la batería o la herramienta al fuego o una temperatura excesiva.** La exposición al fuego o temperaturas superiores a 130 ° C puede provocar una explosión.

## 6 SERVICIO

- a. **Únicamente haga reparar su herramienta eléctrica por un profesional, empleando exclusivamente piezas de repuesto originales.** Solamente así se mantiene la seguridad de la herramienta eléctrica.
- b. **Nunca revisa baterías dañadas.** Mantenimiento de baterías sólo debe ser realizado por el fabricante o proveedores de servicios autorizados.

### Indicaciones de seguridad específicas

- **Sujete la máquina únicamente por las empuñaduras aisladas cuando las herramientas de corte puedan entrar en contacto durante el trabajo con conducciones eléctricas ocultas.** Cuando las herramientas para tronzado entran en contacto con conducciones eléctricas bajo tensión, las partes metálicas de la máquina pueden ser conductoras de esa tensión y provocar una descarga eléctrica en el usuario.
- **Fije y asegure la pieza de trabajo a una base estable por medio de mordazas o un dispositivo similar.** Si sostiene la pieza de trabajo únicamente con la mano o la apoya contra el cuerpo, aumentará su inestabilidad, así como el riesgo de perder el control sobre la pieza.
- **La luz estroboscópica puede provocar ataques epilépticos en personas con predisposición a ello.** No utilice la máquina si tiene este tipo de predisposición.
- No mire a la luz estroboscópica. Mirar a la fuente de luz puede dañar la vista.

### Indicaciones de seguridad adicionales

- **Al trabajar puede generarse polvo perjudicial/tóxico (p. ej., de pintura de plomo y de algunos tipos de madera).** El contacto o la inhalación de este polvo puede suponer una amenaza para la persona que realiza el trabajo o para aquellas que se encuentren cerca. Observe las normativas de seguridad vigentes en su país.



Por el bien de su salud, utilice una mascarilla de protección respiratoria con filtro P2.

- **Las herramientas eléctricas Festool solo pueden integrarse en mesas de trabajo que hayan sido previstas por Festool para tal efecto.** El montaje en mesas de trabajo de otras marcas o de fabricación propia puede mermar la seguridad

de la herramienta eléctrica y provocar accidentes graves.

## Tratamiento de metales



Al trabajar con metal deberá tener presente las siguientes medidas por motivos de seguridad:

- Conecte la máquina a un equipo de aspiración apropiado.
- Limpie regularmente el polvo que se acumula en la carcasa del motor de la máquina.
- Utilice una hoja de sierra de metal.
- Cierre la protección contra la proyección de virutas.



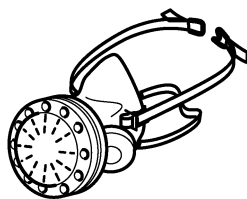
¡Utilizar gafas de protección!

## Riesgos para la salud producidos por el polvo



**ADVERTENCIA!** Algunos polvos creados por lijadoras motorizadas, aserraderos, trituradores, perforadoras y otras actividades de construcción contienen sustancias químicas que se sabe (en el Estado de California) causan cáncer, defectos de nacimiento u otros daños al sistema reproductivo. Algunos ejemplos de estas sustancias químicas son:

- Plomo de las pinturas con base de plomo
- Sílice cristalino de los ladrillos y cemento y otros productos de mampostería, y
- Arsénico y cromo de madera tratada con sustancias químicas



El riesgo de exposición a estas sustancias varía, dependiendo de cuantas veces se hace este tipo de trabajo. Para reducir el contacto con estas sustancias químicas: trabaje en un área con buena ventilación y trabaje con equipo de seguridad aprobado, como mascarillas para el polvo diseñadas específicamente para filtrar partículas microscópicas.



## ADVERTENCIA

**PARA REDUCIR EL RIESGO DE LESIÓN, EL USUARIO DEBE LEER EL MANUAL DE INSTRUCCIÓN.**

## Datos técnicos

| Caladoras Akku   | PSC 420 EB            | PSBC 420 EB       |
|--|-----------------------|-------------------|
| Tensión del motor  | 10.8 - 18 V           |                   |
| Número de carreras   | 1500 - 3800 rpm       | 1000 - 3800 rpm   |
| Longitud de carrera  | 1.02 '' (26 mm)       |                   |
| Movimiento pendular  | 4 niveles             |                   |
| Inclinación máx. (solo con el accesorio de mesa angular WT-PS 400) | 45° hacia ambos lados |                   |
| Profundidad de corte máx. (según la hoja de sierra)                |                       |                   |
|  | Madera                | 120 mm (4-3/4 '') |
|  | Aluminio              | 20 mm (3/4 '')    |
|  | Acero                 | 10 mm (3/8 '')    |
| Peso sin batería   | 4.2 lbs (1.9 kg)      |                   |

## Descripción de las funciones

Las imágenes con la dotación de suministro se encuentran en una hoja desplegable al comienzo de este manual de instrucciones. Cuando lea este manual, le recomendamos que despliegue esta página para disponer fácilmente de una vista general de la máquina.

- [1-1]** Protección contra la proyección de virutas
- [1-2]** Interruptor de conexión y desconexión
- [1-3]** Interruptor acelerador (solo PSBC 420 EB)
- [1-4]** Bloqueo de conexión (solo PSBC 420 EB)

- [1-5]** Rueda de ajuste para la regulación del número de revoluciones
- [1-6]** Teclas para soltar el acumulador
- [1-7]** Racor de aspiración
- [1-8]** Palanca de cambio de la mesa de serrar
- [1-9]** Expulsión de la hoja de sierra
- [1-10]** Mesa de serrar intercambiable
- [1-11]** Interruptor de carrera pendular
- [1-12]** Banda de rodadura

## Uso conforme a lo previsto

Las caladoras están diseñadas para serrar madera y materiales derivados de la madera. Con las hojas de sierra especiales de Festool, estas máquinas también pueden utilizarse para serrar plástico, acero, aluminio, metales no férreos y cerámica.

Las herramientas eléctricas Festool sólo pueden integrarse en mesas de trabajo previstas por Festool para tal efecto. El montaje en mesas de trabajo

diferentes o de confección propia puede mermar la seguridad de la herramienta eléctrica y provocar graves accidentes.



### ADVERTENCIA

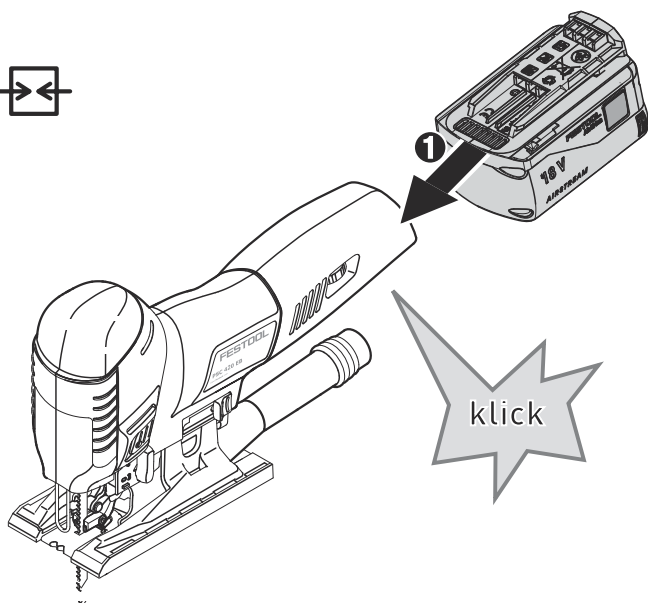
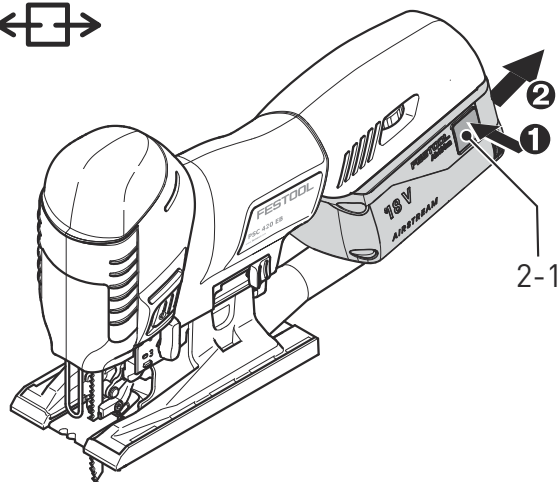
**El usuario responde de los daños y accidentes que puedan derivarse de un uso no conforme a lo previsto.**

### Cambiar la batería [2]

#### Extraer la batería

- ▶ Mantenga presionadas ambas teclas [2-1].
- ▶ Retire la batería empujando hacia adelante.

2



#### Insertar la batería

- ▶ Introduzca la batería hasta que quede encajada en el soporte en la parte inferior de la empuñadura, como se indica en la imagen 2.
- ① En las caladoras de batería se pueden emplear todas las baterías de la serie **BPC** de Festool.



**¡Riesgo de lesiones!** Los acumuladores de la serie BPC solo pueden utilizarse una vez retirado el clip de sujeción al cinturón.

## Ajustes

Tenga en cuenta las imágenes al principio del manual.



### ADVERTENCIA

#### Peligro de lesiones

- ▶ Antes de realizar cualquier trabajo en la máquina, extraiga la batería.

### Ajustar el movimiento pendular

Para poder trabajar en materiales diferentes con un avance óptimo, las caladoras pendulares disponen de un movimiento pendular ajustable. Con el interruptor de carrera pendular [1-11] se puede seleccionar la posición deseada:

Posición 0 = movimiento pendular desconectado

Posición 3 = movimiento pendular máximo

### Ajuste recomendado del movimiento pendular

|  |       |
|--|-------|
| Madera blanda, placas de aglomerado, placas de fibra de madera | 1 - 3 |
| Tableros de mesa de carpintero, madera contrachapada, plástico | 1 - 2 |
| Cerámica   | 0     |
| Aluminio, metales no férreos                                   | 0 - 2 |
| Acero, madera dura   | 0 - 1 |

### Regulación del número de carreras

El número de carreras se regula con la rueda de ajuste **[1-5]** de modo continuo entre 1500 y 3800 rpm (PSBC 420 EB: 1000 - 3800 rpm). De este modo, la velocidad de corte puede adaptarse de manera óptima a cada material.

En la posición **A** está activado el reconocimiento automático de carga: el número de carreras está reducido en la marcha en vacío y se regula al valor máximo cuando la herramienta penetra en la pieza de trabajo.

### Número de carreras recomendado (posición de la rueda de ajuste)

|   |       |
|---|-------|
| Madera dura, madera blanda, tableros de mesa de carpintero, madera contrachapada, planchas de madera aglomerada | A     |
| Placas de fibra de madera   | 4 - A |
| Plástico  | 3 - A |
| Cerámica, aluminio, metales no férreos  | 3 - 5 |
| Acero   | 2 - 4 |

### Uso de la protección contra la proyección de virutas

La protección contra la proyección de virutas **[1-1]** impide que las virutas salgan disparadas y mejora la eficacia de la aspiración de virutas.

- ▶ Desplace la protección contra la proyección de virutas **[1-1]** hacia abajo con una ligera presión.

### Cambio de la mesa de serrar

- ▶ Abra la palanca de cambio **[1-8]**.
- ▶ Extraiga la mesa de serrar desplazándola hacia abajo.

- ⓘ El montaje se realiza en el orden inverso. Asegúrese de que la mesa de serrar quede bien sujeta en la guía.

En lugar de la mesa de serrar, en el alojamiento se puede montar la mesa angular WT-PS 400 o la mesa de adaptación ADT-PS 400.



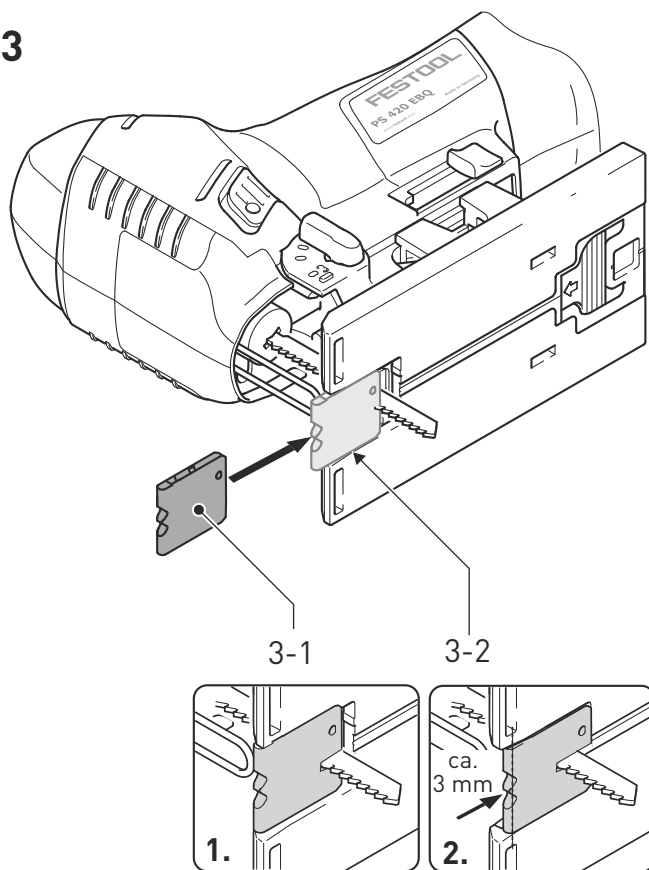
Nunca sierre sin la mesa de serrar o sin ninguna de las mesas ofrecidas en el programa de accesorios de Festool.

### Montaje de la protección antiastillas

La protección antiastillas permite realizar cortes sin desgarros en los cantos, incluso por el lado de salida de la hoja de sierra.

- ▶ Con la máquina apagada, empujar la protección antiastillas **[3-1]** hasta la hoja de sierra por la guía **[3-2]**,
  - ▶ conectar la caladora,
  - ▶ desplazar la protección antiastillas, con la máquina en funcionamiento, en una superficie plana (**no con la mano**) hasta que enrase con el canto delantero de la mesa de serrar (velocidad 5). De esta manera se sierra la protección antiastillas.
- ⓘ Una vez desgastada, la protección antiastillas se puede desplazar unos 3 mm más hacia atrás y seguir utilizándose.
  - ⓘ Para que la protección antiastillas funcione eficazmente, debe quedar bien enrasada a ambos lados de la hoja de sierra. Por este motivo, para conseguir cortes sin desgarros, en cada cambio de la hoja de sierra se debe emplear también una nueva protección antiastillas.

3



### Aspiración

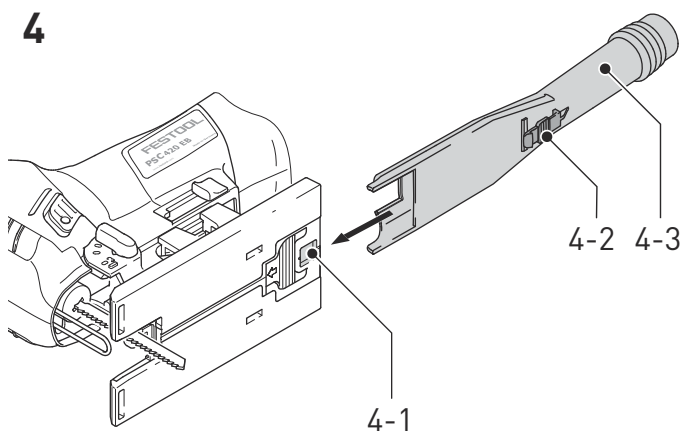


### ADVERTENCIA

#### Consecuencias perjudiciales para la salud a causa del polvo

- ▶ El polvo puede ser perjudicial para la salud. Por este motivo, no trabaje nunca sin aspiración.
- ▶ Durante la aspiración de polvo perjudicial para la salud, respete siempre las normativas nacionales.

4



El adaptador de aspiración [4-3] permite conectar las caladoras a un equipo de aspiración (diámetro del tubo flexible de 27 mm).

- ▶ Inserte el adaptador de aspiración en la abertura trasera de la mesa de serrar de forma que el gancho [4-2] enclave en la entalladura [4-1].
- ▶ Para extraer el adaptador de aspiración, pulse el gancho [4-2].
- ⓘ El consumo de potencia reducido de la máquina (menor consumo de energía) hace que los aspiradores con conexión automática a veces se conecten solo en el momento de realizar el corte.
- ▶ Seleccione el funcionamiento continuo del aparato de aspiración para aplicaciones especiales (p. ej. número de carreras bajo, madera blanda...).

### Cambiar de herramienta



### ATENCIÓN

#### Herramienta caliente y afilada

#### Peligro de lesiones

- ▶ No utilizar herramientas desafiladas o defectuosas.
- ▶ Utilizar guantes de protección.

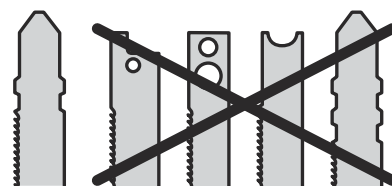


No utilice hojas de sierra deformadas o agrietadas ni hojas que presenten cuchillas defectuosas o sin filo.

#### Selección de la hoja de sierra



Utilice hojas de sierra con vástago de una sola leva (vástago en T). La hoja de sierra no debería tener una longitud superior a la necesaria para el corte que se va a realizar. Para conseguir un guiado seguro, la hoja de sierra debería sobresalir por abajo de la pieza de trabajo en cada punto.



- ⓘ Emplee únicamente hojas de sierra triscadas cuando se use la mesa angular y de adaptación. Recomendamos la hoja de sierra Festool S 105/4 FSG.

#### Montaje de la hoja de sierra



### ADVERTENCIA

#### Peligro de lesiones

- ▶ Antes de realizar cualquier trabajo en la máquina, extraiga la batería.

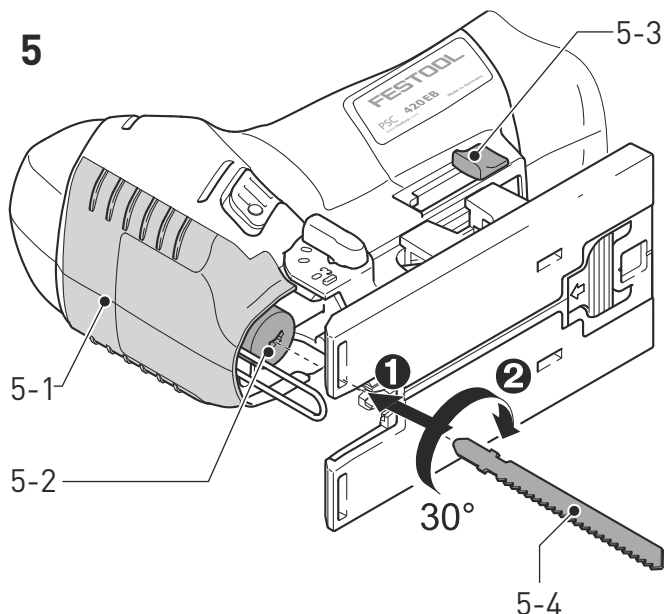


- ▶ En caso necesario, desplazar la protección contra la proyección de virutas [1-1] hacia arriba.
- ▶ Desplazar la hoja de sierra [5-4] con los dientes en el sentido del corte hasta el tope en la abertura [5-2].
- ▶ Girar la hoja de sierra [5-4] aprox. 30° en el sentido de las agujas del reloj hasta que enclave.



Comprobar que la hoja de sierra esté bien sujeta. Si la hoja de sierra está suelta, podría caerse y provocar lesiones.

- ⓘ En caso de que las hojas de sierra sean muy cortas, se recomienda extraer la mesa de serrar (véase el capítulo Cambio de la mesa de serrar) antes de insertar la hoja de sierra.



### Ajustar la guía para la hoja de sierra tras cada cambio de la hoja:

La guía para la hoja de sierra sirve para mejorar el guiado de la hoja.

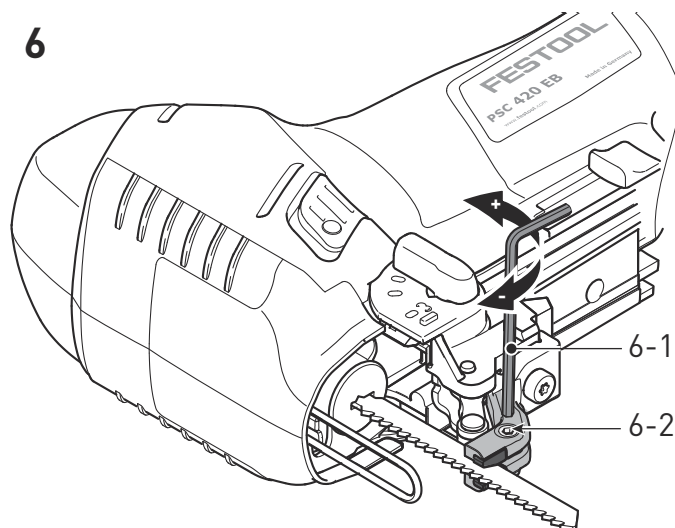
- ▶ Extraer la mesa de serrar (véase el capítulo Cambio de la mesa de serrar).

- ▶ Apretar el tornillo [6-2] con la llave de macho hexagonal [6-1] de modo que las caras de la hoja de sierra casi se toquen.

### NOTA

#### Daños en la máquina o en la hoja de sierra

- ▶ No apretar demasiado el tornillo [6-2]. La hoja de sierra debe poder moverse ligeramente.



### Expulsión de la hoja de sierra

- ⓘ Al expulsar la hoja de sierra, sujete la herramienta eléctrica de forma que nadie resulte herido.
- ▶ Desplace el expulsor de la hoja de sierra [5-3] hacia adelante hasta el tope.
- ⓘ El cambio de herramienta solo es posible con el alojamiento de la herramienta en la posición superior.

**Si no se puede cambiar la hoja de sierra,** hacer funcionar la sierra de calar durante 3-10 segundos a alta velocidad. Accionar de nuevo la expulsión de la hoja de sierra [5-3].

## Trabajo con la máquina



### ATENCIÓN

**Materiales que generan mucho polvo (p. ej. cartón yeso)**

**Daños en la máquina por la entrada de polvo, peligro de lesiones**

- ▶ ¡No realizar trabajos por encima de la cabeza!



## ADVERTENCIA

### Peligro de lesiones

- ▶ Antes de la operarla verifique el asiento correcto de la cuchilla de de sierra y que esté fija.
- ▶ La sierra de calado siempre debe acercarse y aplicarse a la pieza de trabajo con la cuchilla de la sierra en marcha.
- ▶ Espere a que la máquina esté completamente parada antes de guardarla. La herramienta giratoria podría engancharse, lo que podría causar la pérdida de control de la máquina.

Utilice siempre una base estable para trabajar piezas pequeñas o finas.

Sujete la herramienta eléctrica por la empuñadura y guíela a lo largo de la línea de corte deseada. Para obtener cortes precisos y una marcha suave, guíe la herramienta eléctrica con las dos manos.

### Serrado libre siguiendo la línea de corte

Gracias a la punta triangular, la protección antiastillas [3-1] señala la línea de corte de la hoja de sierra, simplificando así el serrado.

## Conexión y desconexión

La herramienta eléctrica dispone de un botón [1-2] a ambos lados para la conexión y la desconexión.

La PSBC 420 EB tiene además un interruptor acelerador [1-3] con bloqueo de conexión [1-4]. El funcionamiento continuo se selecciona pulsando el botón [1-2].

## Iluminación



## ADVERTENCIA

**La posición de la hoja puede resultar engañosa debido al efecto de la luz estroboscópica**

### Peligro de lesiones

- ▶ Asegúrese de que el lugar de trabajo tenga una buena iluminación.



## ADVERTENCIA

**Mirar a la fuente de la luz puede dañar la vista.**

- ▶ No mire a la luz estroboscópica.

Con objeto de iluminar la línea de corte, se ha integrado una luz permanente o una luz estroboscópica: hasta aprox. 2100 rpm: luz permanente

a partir de aprox. 2100 rpm: luz estroboscópica

- ① La iluminación se apaga al elevar la herramienta a una altura por encima de la cabeza (+/- 45°).

En caso necesario, se puede adaptar la iluminación:

- ▶ Enchufar la herramienta eléctrica.
- ▶ Mantener pulsados los dos botones [1-2] simultáneamente durante unos 10 s hasta que suene una señal acústica.
- ▶ Soltar ambos botones [1-2].
- ▶ Pulsar el botón izquierdo (en el lado del movimiento pendular) el número de veces indicado para seleccionar el modo deseado:

| Modo | Visualización durante el ajuste | Variación durante el funcionamiento |
|------|---------------------------------|-------------------------------------|
| 1    | Iluminación intermitente        | Con estroboscopio (estándar)        |
| 2    | Iluminación conectada           | Luz permanente sin estroboscopio    |
| 3    | Iluminación desconectada        | Luz apagada                         |

- ▶ Pulsar el botón derecho para guardar el ajuste.

## Señales acústicas de advertencia

Las señales acústicas de advertencia se emiten en los siguientes estados de funcionamiento y, seguidamente, la máquina se desconecta:



peep — —

### Batería vacía o máquina sobrecargada.

- Cambie la batería.
- Cargue menos la máquina.



peep peep —

### La máquina se ha sobrecalentado.

- Una vez que se haya enfriado la máquina, puede ponerla de nuevo en marcha.



peep peep peep

### La batería de litio se ha sobrecalentado o es defectuosa.

- Compruebe el funcionamiento de la batería ya enfriada con el cargador.

## Accesorios

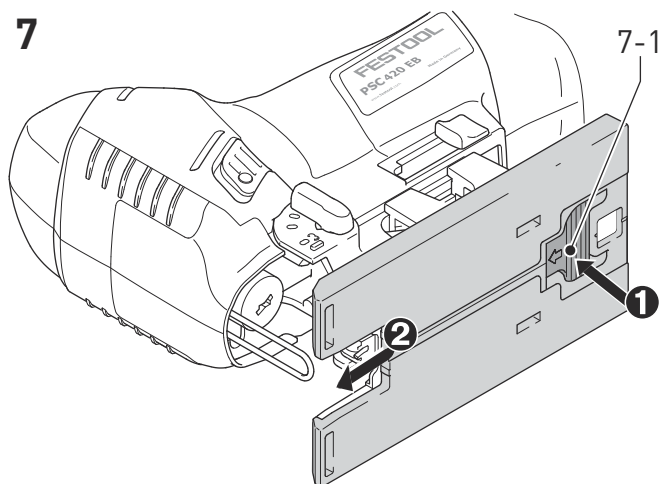
Utilice únicamente los accesorios Festool originales y el material de consumo Festool diseñados para esta máquina, puesto que los componentes de este sistema están óptimamente adaptados entre sí. La utilización de accesorios y material de consumo de otros fabricantes puede afectar a la calidad de los resultados de trabajo y conllevar una limitación de los derechos de la garantía. El desgaste de la máquina o de su carga personal puede variar en función de la aplicación. Utilice únicamente accesorios originales y material de consumo de Festool para su propia protección y la de la máquina, así como de los derechos de la garantía.

Los números de pedido para los respectivos accesorios y herramientas se encuentran en su catálogo Festool o en la dirección de Internet "www.festoolusa.com".

### Hojas de sierra, otros accesorios

Para cortar diversos materiales de forma rápida y limpia, Festool le ofrece hojas de sierra compatibles con su caladora Festool y adecuadas para cualquier aplicación.

### Serrado con bandas de rodadura especiales



Las bandas de rodadura especiales protegen las superficies delicadas de rayaduras y estrías.

- ▶ Presione la banda de rodadura en la posición [7-1].

- ▶ al tiempo que la desplaza hacia adelante.
- ▶ Coloque otra banda de rodadura y desplácela hacia atrás hasta que enclave.

### Serrado con la mesa angular

La mesa angular WT-PS 400 sirve para serrar tubos, así como ángulos interiores y exteriores de hasta 45°.



Cuando se trabaja con la mesa angular no puede conectarse ningún equipo de aspiración.

### Montaje de la mesa angular

- ▶ Extraer la mesa de serrar [1-10] (véase el capítulo Cambio de la mesa de serrar).
- ▶ Colocar la mesa angular en el alojamiento de la mesa de serrar.
- ▶ Cerrar la palanca de cambio [1-8].

*Asegurarse de que la mesa angular quede bien sujeta en la guía.*

### Ajuste del ángulo

- ▶ Girar la rueda de ajuste [8-1] para ajustar el ángulo deseado.

*Con ayuda de la escala [8-2] se pueden ajustar los valores -45°, 0° y +45°.*



## ADVERTENCIA

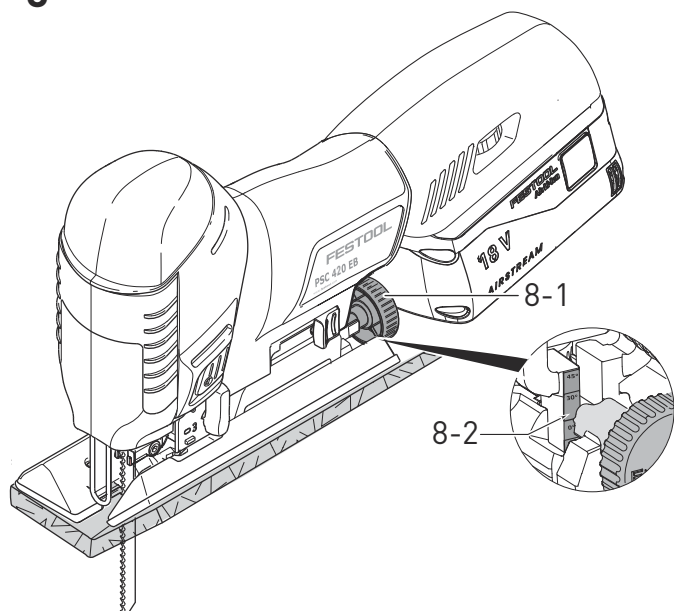
### Serrado de profundidades de corte

#### Peligro de lesiones

- ▶ Seleccionar la longitud de la hoja de sierra y la profundidad de corte de forma que la hoja de sierra quede siempre dentro de la pieza de trabajo.

- ① Para cortes de 0° recomendamos ajustar la mesa angular a un número de grados ligeramente negativo con el fin de garantizar una marcha estable.

8



## Serrado con la mesa de adaptación



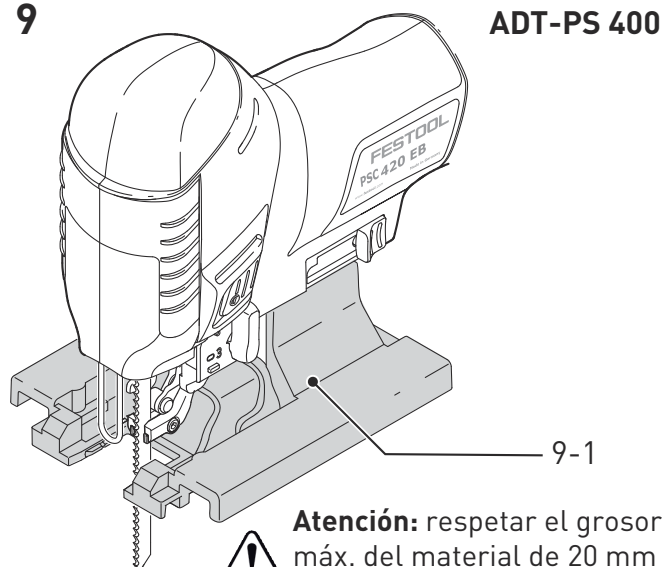
### ADVERTENCIA

#### Peligro de lesiones

- ▶ Antes de instalar la mesa angular, extraiga la batería.

La mesa de adaptación ADT-PS 400 sirve para fijar su caladora en el riel de guía Festool y en el compás circular KS-PS 400.

9



ADT-PS 400



**Atención:** respetar el grosor máx. del material de 20 mm y utilizar solo hojas de sierra triscadas (FSG).



**Con el riel de guía y el compás circular:** respetar el grosor máx. del material de 20 mm y utilizar solo hojas de sierra triscadas (FSG).

## Montaje de la mesa de adaptación

- ▶ Extraiga la mesa de serrar [1-10], (véase el capítulo Cambio de la mesa de serrar).
- ▶ Coloque la mesa de adaptación [9-1] en el alojamiento de la mesa de serrar.
- ▶ Cierre la palanca de cambio [1-8].

*Asegúrese de que la mesa de adaptación quede bien sujeta en la guía.*

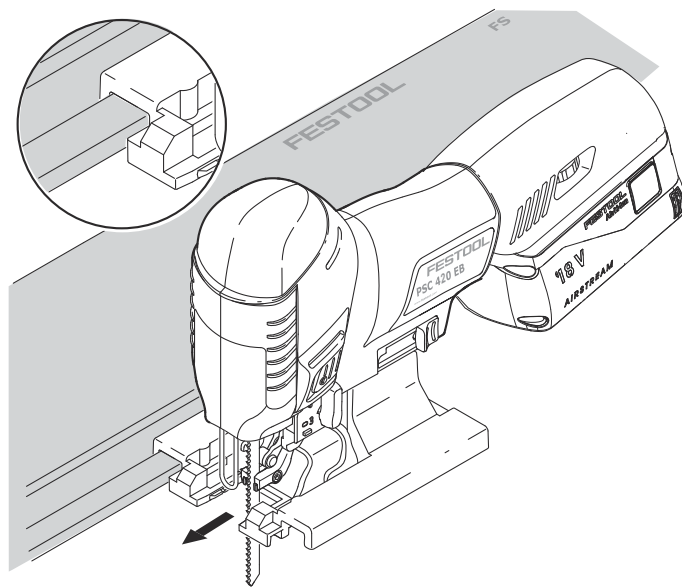
- ① Utilice los racores de aspiración [1-7] también con la mesa de adaptación.

## Adaptación al riel de guía FS 2

El uso del sistema guía FS 2 de Festool (imagen [10]) facilita la realización de cortes rectos y precisos.

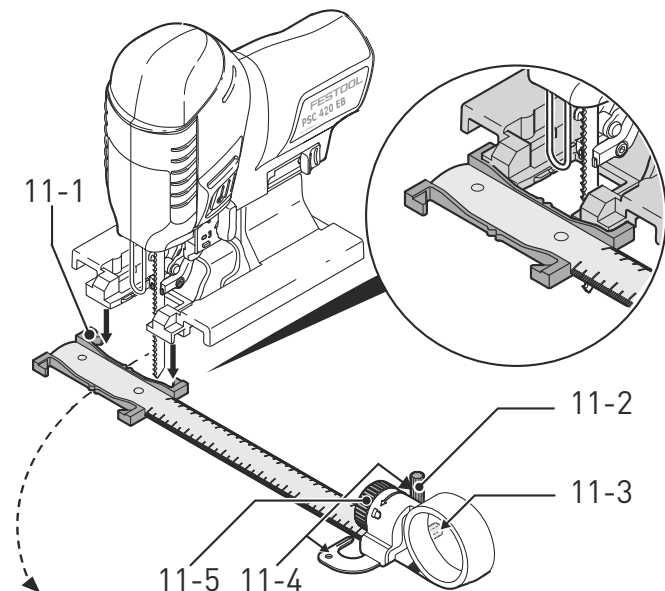
- ▶ Colocar la caladora con la mesa de adaptación montada [9-1] en el riel de guía.

10



## Adaptación al compás circular

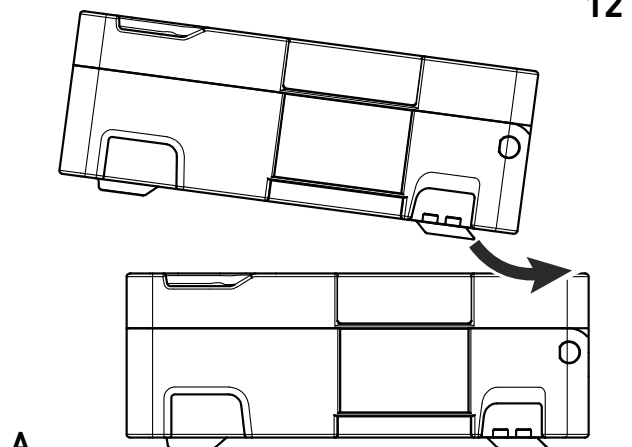
El compás circular sirve para elaborar cortes circulares con un diámetro de entre 120 y 3000 mm. El compás circular puede montarse en la mesa de adaptación desde ambos lados.



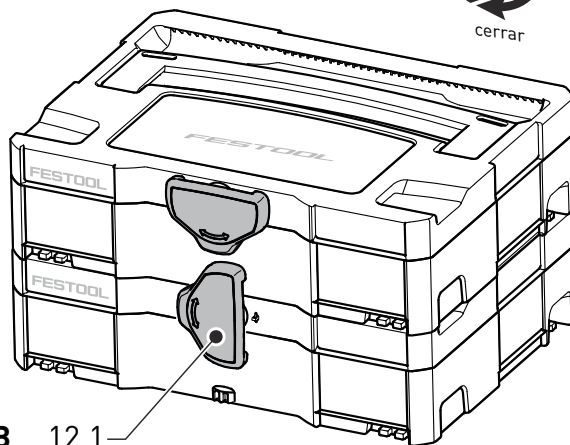
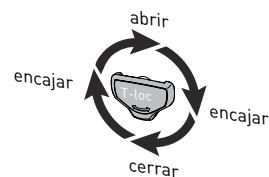
- ▶ Coloque la caladora con la mesa de adaptación sobre el adaptador **[11-1]** en el compás circular.
- ▶ Coloque el mandril de centrado **[11-2]** en el taladro **[11-4]** del compás circular, que se encuentra en la línea de la hoja de sierra.
- ▶ Sujete la cinta métrica en el compás circular con el botón giratorio **[11-5]**.

Ajustes recomendados para serrar con el compás circular:

- ▶ Serrar contra el sentido de las agujas del reloj.
  - ▶ Serrar con un avance lento.
  - ▶ Colocar la carrera pendular **[1-11]** en 0 - 1.
  - ▶ Colocar los números de carreras **[1-5]** en 1 - 5.
- ① Guarde el mandril de centrado en el compartimiento **[11-3]**.



A



B

### Systainer

Muchos de los productos Festool se entregan en un embalaje exclusivo denominado "Systainer" que sirve de protección a la herramienta y sus complementos, además de facilitar su almacenamiento. Los Systainer pueden apilarse y encajan unos con otros. Además se adaptan sin problema a cualquier aparato de aspiración CT de Festool.

#### Para abrir el Systainer



Gire el T-loc **[12-1]** a esta posición.

#### Para cerrar el Systainer



Gire el T-loc **[12-1]** a esta posición.

#### Para encajar dos Systainer

Ponga el Systainer sobre un otro (Fig. **[12 A]**).



Gire el T-loc **[12-1]** a una de estas posiciones (Fig. **[12 B]**).

Los Systainers están encajados y cerrados.

- ① Un Systainer de la nueva generación es encajable encima de un Systainer de la generación anterior con los cuatro enganches del Systainer anterior.

## Mantenimiento y cuidado



### ADVERTENCIA

**Cualquier trabajo de mantenimiento o reparación que requiera abrir el motor o la carcasa del engranaje deberá ser realizado únicamente por un Centro de Atención al Cliente (nombre proporcionado por su concesionario).**

- ▶ Los trabajos de mantenimiento o reparación realizados por una persona no autorizada podrían provocar la conexión incorrecta de los conductores de alimentación u otros componentes, lo que a su vez podría provocar accidentes con consecuencias graves.



### ADVERTENCIA

#### **Peligro de lesiones, electrocución**

- ▶ Extraiga siempre la batería de la máquina antes de realizar cualquier trabajo de mantenimiento y conservación!



El **Servicio de atención al cliente y reparaciones** solo está disponible por parte del fabricante o de los talleres de reparación: encuentre la dirección más próxima a usted en:  
[www.festoolusa.com/service](http://www.festoolusa.com/service)



Utilice únicamente piezas de recambio Festool originales. Referencia en:  
[www.festoolusa.com/service](http://www.festoolusa.com/service)

No abra la batería ni el cargador. Una vez desconectado de la red, en el interior del cargador permanece una elevada tensión de condensador.

Los dispositivos de protección y las piezas que presenten daños deben ser reparados o sustituidos conforme a lo prescrito por un taller especializado autorizado, a menos que se especifique de otro modo en el manual de instrucciones.

#### **Tenga en cuenta las siguientes advertencias:**

- Mantenga siempre limpios los orificios de ventilación de la herramienta eléctrica y del cargador, de manera que pueda garantizarse su refrigeración.
- Mantenga siempre limpios los puntos de conexión de la herramienta eléctrica, el cargador y la batería.
- Compruebe regularmente si el rodillo guía presenta desgaste.
- Limpie regularmente el polvo que se acumula en la campana de salida de virutas.
- Limpie regularmente la banda de rodadura para evitar rayaduras y estrías en la superficie.



Para el mantenimiento, cuidado, eliminación y transporte de la batería, seguir las indicaciones suministradas con esta.

## Medio ambiente

**No deseche la herramienta junto con los residuos domésticos.** Recicle las herramientas, accesorios y

embalajes de forma respetuosa con el medio ambiente. Respete la normativa vigente del país.